



July 2000

---

# Earned Income Tax Credit

*Analysis of Credit Claims  
for 1998*

---

# Contents

---

Introduction and Background		1
	Nature and Purpose of the EITC	4
	Summary Statistics	6
	Statistical Tables Accompanying This Report	9
	Endnotes	10
Figures	<b>Figure 1:</b> 1998 New York State Earned Income Tax Credit by Earnings	4
	<b>Figure 2:</b> Total New York State Earned Income Tax Credit Claimed – 1994-98	6
	<b>Figure 3:</b> Total New York State Earned Income Tax Credit Claimants – 1994-98	8
Tables	<b>Table 1:</b> New York State Earned Income Tax Credit	3
	<b>Table 2:</b> EITC Claims by Place of Residence – 1998 Tax Year	7
	<b>Table 3:</b> EITC Claims by Number of Qualifying Children – 1998	9
	<b>Alphabetical Listing of County Tables</b>	11-67
	<b>New York City Total</b>	68
	<b>New York City Counties</b>	69-73
	<b>New York State Full-Year Resident</b>	74
	<b>Nonresidents, Part-Year Move-outs &amp; Unclassified</b>	75
<b>Grand Total for All Claims</b>	76	
Appendixes	<b>Appendix A:</b> Legislative Mandate for the Earned Income Tax Credit Study, Chapter 170, Laws of 1994	A-1
	<b>Appendix B:</b> Form IT-215	B-1

---

# Introduction and Background

---

Chapter 170 of the Laws of 1994 created the New York State earned income tax credit (EITC), which became effective in 1994. Authorized by Section 606(d)(7) of the Tax Law, the credit equaled 20 percent of the federal EITC for the 1998 tax year. New York residents may receive a refund of any excess credits. The credit is nonrefundable to nonresidents. Taxpayers must file a New York State income tax return to receive the earned income tax credit.

Twelve states currently provide an earned income tax credit. Eleven states, including New York, are linked to federal law.<sup>1</sup> The federal credit equals a percentage of earned income, up to a maximum credit amount. At greater income levels, the credit begins to decline as income increases. Maximum earnings and income phaseout levels are indexed annually for inflation. Taxpayers must receive earned income to claim the credit. Table 1 provides a summary of the major provisions of both the federal and New York credits.

Legislation enacted in 1995 amended the State EITC in two ways. First, it increased the percentage for tax year 1996 from the previously scheduled 15 percent to 20 percent of the federal credit. The scheduled percentage for 1997 and thereafter remained at 20 percent. Second, it restored the household credit for 1996 and thereafter, and requires taxpayers to subtract it from their EITC.

Legislation enacted in 1999 increased the EITC from 20 percent of the federal credit to 22.5 percent in tax year 2000, and to 25 percent in tax years beginning after 2000. However, the rate will revert to 20 percent if the federal government reduces New York's allocation of temporary assistance for needy families (TANF) grant, or does not permit spending on the EITC to apply toward the TANF maintenance of effort requirement.

---

Legislation enacted in 2000 further increases the EITC to 27.5 percent of the federal credit in 2002 and to 30.0 percent after 20002. These increases are similarly predicated upon funding through the federal TANF grant.

This statistical study results from a legislative mandate. The Department of Taxation and Finance (the Department) must submit to the Governor and the Legislature an annual preliminary report by September 30, and an annual final report by February 15 of each year. The legislation mandates the reporting of detailed data, on a county-level basis, showing the usage and value of the EITC. It also requires classification of this data by amount of earned income, size of credit, and number of qualifying children. Appendix A contains the actual mandate for this statistical study as contained in Chapter 170 of the Laws of 1994.

**Table 1: New York State Earned Income Tax Credit**

Tax Year	Federal Credit Rate	Maximum Creditable Earnings	Federal Maximum Credit	State Credit Rate	State Maximum Credit	Earnings for Start of Phase-Out	Phase-Out Rate	Income Cut-Off
1994								
Families with 1 child	26.30%	\$7,750	\$2,038	7.50%	\$153	\$11,000	15.98%	\$23,760
Families with 2 or more children	30.00%	8,425	2,528	7.50%	190	11,000	17.68%	25,300
Workers without children*	7.65%	4,000	306	7.50%	23	5,000	7.65%	9,000
1995								
Families with 1 child	34.00%	\$6,160	\$2,094	10.00%	\$209	\$11,290	15.98%	\$24,396
Families with 2 or more children	36.00%	8,640	3,110	10.00%	311	11,290	20.22%	26,673
Workers without children*	7.65%	4,100	314	10.00%	31	5,130	7.65%	9,230
1996**								
Families with 1 child	34.00%	\$6,330	\$2,152	20.00%	\$430	\$11,610	15.98%	\$25,078
Families with 2 or more children	40.00%	8,890	3,556	20.00%	711	11,610	21.06%	28,495
Workers without children*	7.65%	4,220	323	20.00%	65	5,280	7.65%	9,500
1997**								
Families with 1 child	34.00%	\$6,500	\$2,210	20.00%	\$442	\$11,930	15.98%	\$25,760
Families with 2 or more children	40.00%	9,140	3,656	20.00%	731	11,930	21.06%	29,290
Workers without children*	7.65%	4,340	332	20.00%	66	5,430	7.65%	9,770
1998**								
Families with 1 child	34.00%	\$6,680	\$2,271	20.00%	\$454	\$12,260	15.98%	\$26,473
Families with 2 or more children	40.00%	9,390	3,756	20.00%	751	12,260	21.06%	30,095
Workers without children*	7.65%	4,460	341	20.00%	68	5,570	7.65%	10,030
1999**								
Families with 1 child	34.00%	\$6,800	\$2,312	20.00%	\$462	\$12,460	15.98%	\$26,928
Families with 2 or more children	40.00%	9,540	3,816	20.00%	763	12,460	21.06%	30,580
Workers without children*	7.65%	4,530	347	20.00%	69	5,670	7.65%	10,200
2000**								
Families with 1 child	34.00%	\$6,920	\$2,353	22.5%	\$529	\$12,690	15.98%	\$27,413
Families with 2 or more children	40.00%	9,720	3,888	22.5%	875	12,690	21.06%	31,152
Workers without children*	7.65%	4,610	353	22.5%	79	5,770	7.65%	10,380

\* Must be over age 24 and under age 65.

\*\* The credit is reduced by the amount of household credit used.

Note:

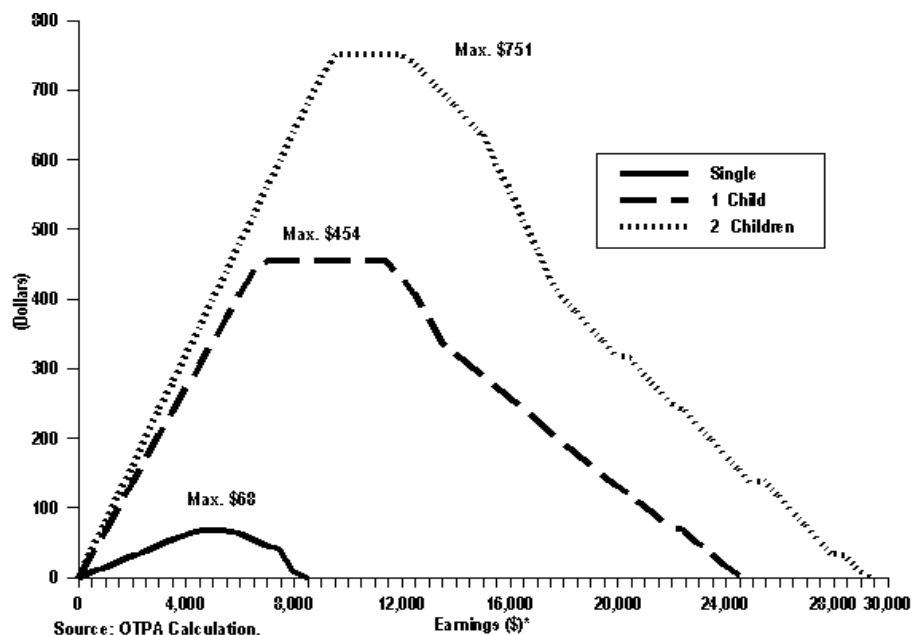
Credit is refundable to residents, but nonrefundable to nonresidents. Phase-out based on greater of earnings or modified FAGI.

## Nature and Purpose of the EITC

Congress adopted the federal earned income tax credit as part of the Tax Reduction Act of 1975. It subsequently expanded the scope and enriched the size of the credit three times — in 1986, 1990, and 1993. In each case, both qualifying earnings and corresponding credit amounts increased significantly.

While Congress has expanded both the size and scope of the earned income tax credit, it has generally retained the credit's basic structure. It applies at a fixed rate of earned income up to a maximum amount of earnings, resulting in a maximum credit amount. When the higher of earnings or federal adjusted gross income (FAGI) exceeds the maximum earnings amount, the credit begins to phase out at a fixed rate. The EITC first functions like a negative income tax, because it is fully refundable if it exceeds tax liability.<sup>2</sup> It then becomes fixed over a narrow income range and, finally, it creates an additional marginal tax rate over the phaseout range. Figure 1 illustrates the relationship between credit amounts and earnings (or FAGI, if greater) by qualifying status.

**Figure 1: 1998 New York State Earned Income Tax Credit by Earnings\***



Source: OTPA Calculation.  
 \* Or modified FAGI (if greater).  
 Note: Credit amounts are reduced by the household credit.

---

The EITC serves several intertwined purposes within the federal tax and transfer system. First, because it is based on earned income, it acts as a type of wage subsidy. This increases the net return to work effort and thus is intended to encourage either additional work effort or higher labor force participation. Either response would mean that the credit helps make work a more attractive alternative to welfare.<sup>3</sup>

Second, Congress intended the EITC to offset all or part of the payroll (Federal Insurance Contributions Act, or FICA) tax burden faced by lower-income workers.<sup>4</sup> Because the FICA tax contains no deductions or exemptions, it can prove especially burdensome for workers with earnings in the range of those qualifying for the EITC. Over time, increases in maximum credit amounts have more than offset the increases in FICA tax rates, making the current maximum EITC substantially greater than the combined employee-employer share of FICA tax paid on the same earnings.

Finally, because it phases out as income increases, the EITC plays a general role in increasing the progressivity of the federal income tax. The EITC targets tax relief to low and moderate-income taxpayers, while its refundability feature provides cash rebates to the lowest-income workers.

The New York earned income tax credit serves similar purposes as well. However, because it is only a fraction of the federal amount, its impacts are less pronounced.

In addition, because New York does not impose any FICA-like payroll taxes, the New York EITC goes completely toward either reducing the personal income tax burden, or providing cash rebates. In tax year 1998, approximately 85 percent of the total earned income credit claimed was refundable to taxpayers.<sup>5</sup> This is similar to the percentage of the federal EITC which is refundable under the federal income tax.

---

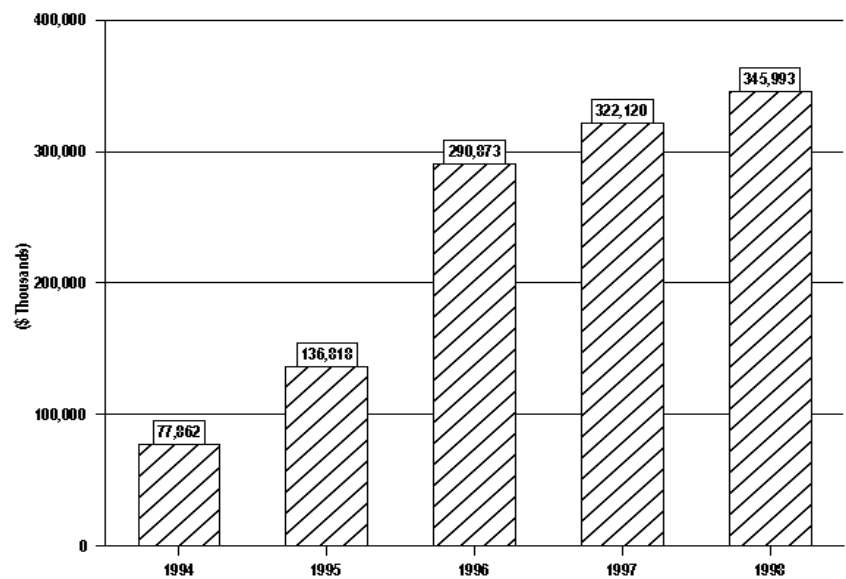
## Summary Statistics

Table 2 provides a general statistical overview of the 1998 EITC by taxpayers' place of residence. Some major statistical highlights include:

- The total earned income credit claimed increased from approximately \$322 million in 1997 to \$346 million in 1998. Figure 2 shows how the total credit claimed has increased over tax years from 1994 through 1998.
- The \$24 million (7.5 percent) increase in total credit claimed from 1997 to 1998 is due to the regular indexation of the federal credit parameters for each year and, potentially, various labor market factors.

---

**Figure 2: Total New York State Earned Income Tax Credit Claimed – 1994-98**





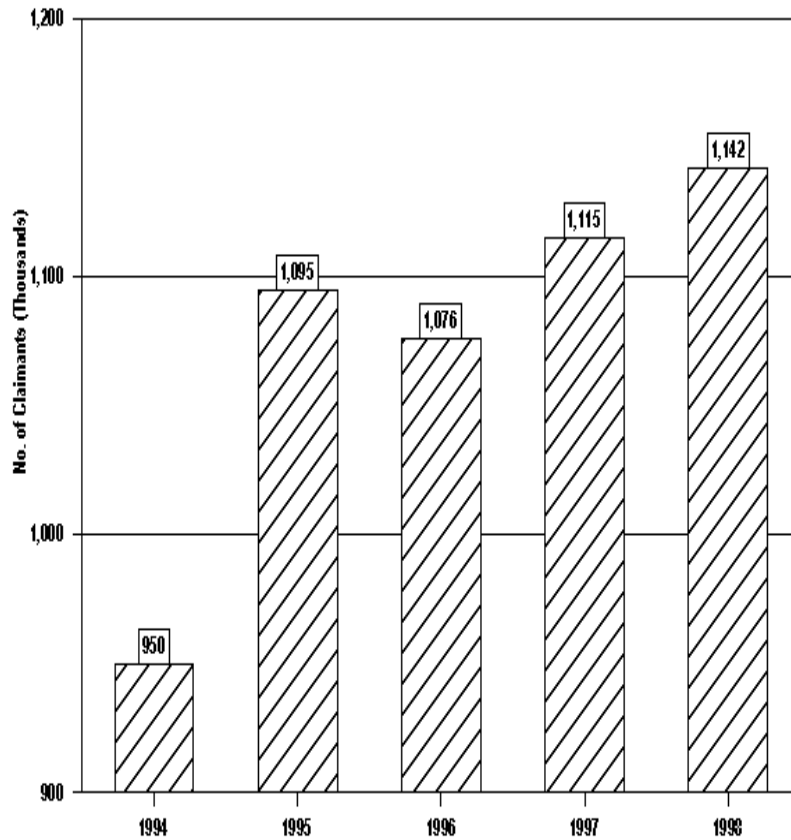
**Table 2: EITC Claims by Place of Residence – 1998 Tax Year**

County	Number	Amount (\$000)	Avg. Credit	County	Number	Amount (\$000)	Avg. Credit
Albany	13,051	3,754	\$288	Orleans	2,547	753	\$295
Allegany	3,012	925	307	Oswego	7,361	2,256	307
Broome	10,820	3,177	294	Otsego	3,548	1,058	298
Cattaraugus	5,340	1,622	304	Putnam	1,866	464	249
Cayuga	4,611	1,367	296	Rensselaer	7,564	2,140	283
Chautauqua	8,737	2,617	300	Rockland	10,284	3,325	323
Chemung	5,462	1,612	295	St. Lawrence	6,737	2,058	305
Chenango	3,604	1,114	309	Saratoga	7,662	2,169	283
Clinton	4,386	1,322	301	Schenectady	7,559	2,222	294
Columbia	3,307	944	285	Schoharie	1,802	537	298
Cortland	2,967	857	289	Schuyler	1,193	352	295
Delaware	3,017	892	296	Seneca	1,860	558	300
Dutchess	9,453	2,630	278	Steuben	6,278	1,878	299
Erie	46,504	13,581	292	Suffolk	52,837	14,830	281
Essex	2,176	620	285	Sullivan	4,765	1,492	313
Franklin	3,273	1,013	309	Tioga	2,839	819	288
Fulton	3,875	1,164	300	Tompkins	3,638	961	264
Genesee	3,034	856	282	Ulster	8,718	2,450	281
Greene	2,535	719	284	Warren	3,742	1,100	294
Hamilton	315	87	277	Washington	3,654	1,079	295
Herkimer	4,092	1,264	309	Wayne	5,031	1,514	301
Jefferson	6,074	1,856	306	Westchester	34,327	9,879	288
Lewis	1,629	476	292	Wyoming	2,073	592	285
Livingston	2,939	849	289	Yates	1,469	444	302
Madison	3,738	1,095	293				
Monroe	36,294	10,794	297	Bronx	128,936	42,087	326
Montgomery	3,450	1,043	302	Kings	216,374	69,397	321
Nassau	43,872	12,316	281	New York	111,618	33,655	302
Niagara	11,801	3,442	292	Queens	161,919	49,273	304
Oneida	13,222	3,932	297	Richmond	15,520	4,508	290
Onondaga	22,627	6,828	302				
Ontario	4,521	1,283	284	All Other*	9,377	1,284	137
Orange	14,777	4,806	325	Grand Total	1,141,613	345,993	\$303

\* Includes nonresidents and part-year residents who moved out of New York. Part-year residents who move into New York are classified by the county into which they moved.

- A total of just over 1.1 million returns claimed an earned income tax credit. This represents about 14 percent of all taxable and nontaxable returns. Figure 3 shows credit usage since the inception of the EITC.
- Average credit amounts varied little by county, ranging from a low of \$249 in Putnam County, to a high of \$326 in Bronx County. The Statewide average credit for all filers equaled \$303.
- The average credit for nonresidents, part-year residents, and unclassified claimants was less than half the average for residents.

**Figure 3: Total New York State Earned Income Tax Credit Claimants – 1994-98**



As shown on Table 1, EITC eligibility and amounts vary by family size. Workers with children can earn considerably more income before the credit phases out. They also qualify for considerably higher credit rates. Table 3 below summarizes credit usage by family size for all taxpayers.

**Table 3: EITC Claims by Number of Qualifying Children – 1998**

Family Size	Number of Claimants		Credit Amount		Avg. Credit (\$)
	Number	% of Total	(\$000)	% of Total	
No Children	208,821	18.3	9,186	2.7	44
One Child	464,159	40.7	132,813	38.4	286
Two or More Children	468,633	41.0	203,994	58.9	435
Total	1,141,613	100.0	345,993	100.0	303

## Statistical Tables Accompanying This Report

The statistical tables in this report provide information on the number of EITC claims, and their total and average dollar amounts. The information is displayed alphabetically by county. It is followed by summary data for New York City and its counties. The last section presents aggregate statistics for full-year nonresidents, part-year residents moving out of New York and data for filers with missing addresses.

Within each county, EITC usage is shown by \$4,000 ranges of earned income, and by number of qualifying children. EITC usage is shown by three filing statuses — single, married joint, and head of household. Qualifying widows(ers) are included in the married filing joint category, and married taxpayers filing separate returns are included in the head of household category. Disclosure limitations did not allow for displaying these two filing statuses separately. The average credit value displayed in the total column includes in its computation values of less than \$500.

The information in the following tables comes from IT-215 forms filed through December 1999. It includes claims for EITC that passed the Department's two-stage verification procedure, and therefore were credited or paid to taxpayers. Taxpayers who did not file returns through December 1999 may file a claim for EITC for the 1998 tax year until April 15, 2002.

Taxpayers must file both a regular income tax return and form IT-215 to claim the EITC. This procedure differs from that for claiming the real property tax circuit breaker credit. Taxpayers may claim that credit using a "stand alone" form IT-214, without having to file a regular tax return. Appendix B contains a copy of form IT-215 and instructions.

---

## Endnotes

1. The other states are Colorado, Illinois, Iowa, Kansas, Maryland, Massachusetts, Minnesota, Oregon, Rhode Island, Vermont, and Wisconsin. Illinois, Iowa, Oregon and Rhode Island's credits are nonrefundable. Minnesota's credit is not directly linked to the federal credit.
2. Currently, about 80 percent of the federal EITC constitutes cash rebates to persons filing tax returns, but not owing tax.
3. However, the way in which the credit phases out significantly increases the marginal tax rate on workers in the phaseout range, thereby potentially reducing their incentive to earn additional wages.
4. For elaboration on the tax policy objectives of the earned income credit, see Joseph Pechman, *Federal Tax Policy, Fifth Edition*, (Washington, D.C., The Brookings Institution, 1987). For a comparison and analysis of state programs, see Center on Budget and Policy Priorities, *A Hand Up: How State Earned Income Credits Help Working Families Escape Poverty*, (December 1999).
5. This percentage is based on a simulation of taxpayer liability that does not take into account taxpayer prepayments.

# Albany County

Filing Status	Earned Income	Number of Qualifying Children									Total		
		None			One			More than One			#	Credit (000's)	Avg. Credit
		#	Credit (000's)	Avg. Credit	#	Credit (000's)	Avg. Credit	#	Credit (000's)	Avg. Credit			
<b>Single</b>													
\$	0 - \$ 4,000	863	\$31	\$35	187	\$31	\$168	183	\$36	\$196	1,233	\$98	\$79
	4,001 - 8,000	1,223	66	54	176	65	370	157	69	443	1,556	201	129
	8,001 - 12,000	93	1	11	65	27	413	36	24	674	194	52	269
	12,001 - 16,000	0	0	0	40	14	358	14	8	603	54	23	421
	16,001 - 20,000	0	0	0	41	9	230	10	4	448	51	14	273
	20,001 - 24,000	0	0	0	23	2	104	5	1	261	28	4	132
	24,001 - 28,000	0	0	0	9	a/	20	2	a/	163	11	1	46
	28,001 and over	0	0	0	0	0	20	2	a/	48	2	a/	48
	Total	2,179	\$98	\$45	541	\$150	\$277	409	\$144	\$353	3,129	\$392	\$125
<b>Married Filing Joint</b>													
\$	0 - \$ 4,000	47	\$1	\$31	38	\$6	\$148	62	\$12	\$197	147	\$19	\$131
	4,001 - 8,000	53	3	48	84	32	375	106	50	475	243	84	348
	8,001 - 12,000	30	1	17	103	42	411	205	141	690	338	184	545
	12,001 - 16,000	0	0	0	131	45	346	216	135	626	347	181	520
	16,001 - 20,000	0	0	0	136	24	175	272	107	394	408	131	321
	20,001 - 24,000	0	0	0	143	10	67	283	65	230	426	75	175
	24,001 - 28,000	0	0	0	5	a/	6	272	27	98	277	27	96
	28,001 and over	0	0	0	0	0	0	70	1	21	70	1	21
	Total	130	\$4	\$34	640	\$158	\$247	1,486	\$540	\$363	2,256	\$702	\$311
<b>Head of Household*</b>													
\$	0 - \$ 4,000	35	\$1	\$27	306	\$49	\$161	265	\$52	\$198	606	\$103	\$169
	4,001 - 8,000	36	2	52	610	242	397	492	241	489	1,138	485	426
	8,001 - 12,000	25	a/	14	731	319	436	693	498	719	1,449	817	564
	12,001 - 16,000	0	0	0	798	257	322	668	407	610	1,466	664	453
	16,001 - 20,000	0	0	0	760	142	186	577	234	406	1,337	376	281
	20,001 - 24,000	0	0	0	689	52	75	466	117	251	1,155	169	146
	24,001 - 28,000	0	0	0	64	1	10	394	45	114	458	45	99
	28,001 and over	0	0	0	0	0	0	57	1	23	57	1	23
	Total	96	\$3	\$33	3,958	\$1,061	\$268	3,612	\$1,596	\$442	7,666	\$2,660	\$347
<b>All</b>													
\$	0 - \$ 4,000	945	\$33	\$35	531	\$86	\$162	510	\$101	\$197	1,986	\$220	\$111
	4,001 - 8,000	1,312	71	54	870	339	389	755	361	478	2,937	770	262
	8,001 - 12,000	148	2	12	899	388	432	934	664	711	1,981	1054	532
	12,001 - 16,000	0	0	0	969	316	327	898	551	614	1,867	867	465
	16,001 - 20,000	0	0	0	937	175	187	859	346	403	1,796	521	290
	20,001 - 24,000	0	0	0	855	64	74	754	183	243	1,609	247	153
	24,001 - 28,000	0	0	0	78	1	10	668	72	107	746	73	97
	28,001 and over	0	0	0	0	0	0	129	3	22	129	3	22
	Total	2,405	\$106	\$44	5,139	\$1,369	\$266	5,507	\$2,280	\$414	13,051	\$3,754	\$288

\* Includes Married filing Separate status.  
a/ Amount is less than \$500.

# Allegany County

Filing Status	Earned Income	Number of Qualifying Children									Total		
		None			One			More than One			#	Credit (000's)	Avg. Credit
		#	Credit (000's)	Avg. Credit	#	Credit (000's)	Avg. Credit	#	Credit (000's)	Avg. Credit			
<b>Single</b>													
	\$ 0 - \$ 4,000	210	\$6	\$29	17	\$3	\$168	7	\$1	\$180	234	\$10	\$43
	4,001 - 8,000	148	8	53	16	6	381	12	5	455	176	19	110
	8,001 - 12,000	11	a/	12	9	4	422	7	5	709	27	9	329
	12,001 - 16,000	0	0	0	10	3	309	2	1	665	12	4	368
	16,001 - 20,000	0	0	0	6	1	227	1	d/	d/	7	2	271
	20,001 - 24,000	0	0	0	1	a/	d/	2	1	320	3	1	242
	24,001 - 28,000	0	0	0	1	a/	d/	0	0	0	1	a/	d/
	28,001 and over	0	0	0	0	0	0	0	0	0	0	0	0
	Total	369	\$14	\$38	60	\$17	\$288	31	\$14	\$458	460	\$45	\$99
<b>Married Filing Joint</b>													
	\$ 0 - \$ 4,000	36	\$1	\$27	16	\$2	\$143	44	\$8	\$191	96	\$12	\$121
	4,001 - 8,000	39	2	50	45	17	372	82	40	487	166	59	353
	8,001 - 12,000	10	a/	15	58	24	420	116	81	695	184	105	572
	12,001 - 16,000	0	0	0	52	17	335	145	87	597	197	104	528
	16,001 - 20,000	0	0	0	65	10	161	149	54	366	214	65	303
	20,001 - 24,000	0	0	0	51	3	65	170	38	224	221	41	188
	24,001 - 28,000	0	0	0	1	a/	d/	148	13	89	149	13	88
	28,001 and over	0	0	0	0	0	0	29	1	22	29	1	22
	Total	85	\$3	\$36	288	\$75	\$259	883	\$322	\$365	1,256	\$400	\$318
<b>Head of Household*</b>													
	\$ 0 - \$ 4,000	5	a/	\$36	76	\$12	\$162	53	\$9	\$168	134	\$21	\$160
	4,001 - 8,000	9	1	59	131	51	388	102	50	486	242	101	417
	8,001 - 12,000	5	a/	19	175	75	428	140	100	711	320	174	545
	12,001 - 16,000	0	0	0	131	41	312	115	71	616	246	112	454
	16,001 - 20,000	0	0	0	90	16	181	78	31	396	168	47	281
	20,001 - 24,000	0	0	0	66	5	70	59	15	256	125	20	158
	24,001 - 28,000	0	0	0	6	a/	12	41	4	108	47	5	96
	28,001 and over	0	0	0	0	0	0	14	a/	18	14	a/	18
	Total	19	\$1	\$42	675	\$200	\$296	602	\$280	\$464	1,296	\$480	\$371
<b>All</b>													
	\$ 0 - \$ 4,000	251	\$7	\$28	109	\$17	\$160	104	\$19	\$179	464	\$43	\$93
	4,001 - 8,000	196	10	53	192	74	384	196	95	485	584	179	306
	8,001 - 12,000	26	a/	14	242	103	426	263	185	704	531	289	543
	12,001 - 16,000	0	0	0	193	61	318	262	159	606	455	220	484
	16,001 - 20,000	0	0	0	161	28	175	228	86	377	389	114	293
	20,001 - 24,000	0	0	0	118	8	68	231	54	233	349	62	177
	24,001 - 28,000	0	0	0	8	a/	10	189	18	93	197	18	90
	28,001 and over	0	0	0	0	0	0	43	1	21	43	1	21
	Total	473	\$18	\$38	1,023	\$292	\$285	1,516	\$616	\$406	3,012	\$925	\$307

\* Includes Married filing Separate status.

a/ Amount is less than \$500.

d/ Tax Law prohibits the disclosure of individual taxpayer information

# Broome County

Filing Status	Earned Income	Number of Qualifying Children									Total		
		None			One			More than One			#	Credit (000's)	Avg. Credit
		#	Credit (000's)	Avg. Credit	#	Credit (000's)	Avg. Credit	#	Credit (000's)	Avg. Credit			
<b>Single</b>													
	\$ 0 - \$ 4,000	712	\$24	\$33	74	\$12	\$163	56	\$10	\$176	842	\$46	\$54
	4,001 - 8,000	987	52	53	64	23	362	44	21	480	1,095	97	88
	8,001 - 12,000	56	a/	8	57	23	405	34	24	705	147	47	323
	12,001 - 16,000	0	0	0	52	18	343	23	13	568	75	31	412
	16,001 - 20,000	0	0	0	29	6	218	6	3	483	35	9	263
	20,001 - 24,000	0	0	0	12	1	104	6	2	310	18	3	172
	24,001 - 28,000	0	0	0	3	a/	8	4	1	133	7	1	80
	28,001 and over	0	0	0	0	0	0	1	a/	d/	1	a/	d/
	Total	1,755	\$76	\$44	291	\$84	\$288	174	\$73	\$421	2,220	\$233	\$105
<b>Married Filing Joint</b>													
	\$ 0 - \$ 4,000	81	\$2	\$27	43	\$6	\$144	78	\$13	\$161	202	\$21	\$104
	4,001 - 8,000	86	4	48	105	41	393	164	78	477	355	124	348
	8,001 - 12,000	40	1	16	131	55	419	266	184	692	437	240	548
	12,001 - 16,000	0	0	0	170	61	358	302	183	606	472	244	516
	16,001 - 20,000	0	0	0	194	32	165	349	139	399	543	171	316
	20,001 - 24,000	0	0	0	187	12	65	423	95	225	610	107	176
	24,001 - 28,000	0	0	0	12	a/	8	389	36	94	401	37	91
	28,001 and over	0	0	0	0	0	0	90	2	21	90	2	21
	Total	207	\$7	\$34	842	\$207	\$246	2,061	\$730	\$354	3,110	\$945	\$304
<b>Head of Household*</b>													
	\$ 0 - \$ 4,000	29	\$1	\$35	251	\$41	\$163	193	\$37	\$190	473	\$79	\$166
	4,001 - 8,000	32	1	46	522	206	395	406	199	490	960	406	423
	8,001 - 12,000	8	a/	16	627	273	436	525	374	713	1,160	647	558
	12,001 - 16,000	0	0	0	598	191	319	489	301	615	1,087	492	452
	16,001 - 20,000	0	0	0	553	104	188	396	159	402	949	263	277
	20,001 - 24,000	0	0	0	354	27	76	251	64	255	605	91	150
	24,001 - 28,000	0	0	0	30	a/	9	179	20	111	209	20	96
	28,001 and over	0	0	0	0	0	0	47	1	19	47	1	19
	Total	69	\$3	\$38	2,935	\$842	\$287	2,486	\$1,154	\$464	5,490	\$1,999	\$364
<b>All</b>													
	\$ 0 - \$ 4,000	822	\$27	\$33	368	\$59	\$161	327	\$59	\$181	1,517	\$145	\$96
	4,001 - 8,000	1,105	58	53	691	270	391	614	298	486	2,410	626	260
	8,001 - 12,000	104	1	12	815	351	431	825	582	706	1,744	935	536
	12,001 - 16,000	0	0	0	820	270	329	814	497	610	1,634	766	469
	16,001 - 20,000	0	0	0	776	142	183	751	301	401	1,527	444	290
	20,001 - 24,000	0	0	0	553	40	73	680	161	237	1,233	201	163
	24,001 - 28,000	0	0	0	45	a/	8	572	57	99	617	57	93
	28,001 and over	0	0	0	0	0	0	138	3	20	138	3	20
	Total	2,031	\$86	\$42	4,068	\$1,133	\$279	4,721	\$1,958	\$415	10,820	\$3,177	\$294

\* Includes Married filing Separate status.

a/ Amount is less than \$500.

d/ Tax Law prohibits the disclosure of individual taxpayer information.

# Cattaraugus County

Filing Status	Earned Income	Number of Qualifying Children									Total		
		None			One			More than One			#	Credit (000's)	Avg. Credit
		#	Credit (000's)	Avg. Credit	#	Credit (000's)	Avg. Credit	#	Credit (000's)	Avg. Credit			
<b>Single</b>													
	\$ 0 - \$ 4,000	283	\$10	\$34	44	\$7	\$162	43	\$7	\$160	370	\$24	\$64
	4,001 - 8,000	350	19	53	52	20	385	32	14	451	434	53	122
	8,001 - 12,000	29	a/	14	28	11	403	10	7	706	67	19	280
	12,001 - 16,000	0	0	0	17	5	317	9	6	622	26	11	422
	16,001 - 20,000	0	0	0	9	2	239	4	2	412	13	4	292
	20,001 - 24,000	0	0	0	5	a/	97	2	1	297	7	1	154
	24,001 - 28,000	0	0	0	0	0	0	4	1	127	4	1	127
	28,001 and over	0	0	0	0	0	0	1	a/	d/	1	a/	d/
	Total	662	\$29	\$43	155	\$46	\$300	105	\$37	\$350	922	\$112	\$121
<b>Married Filing Joint</b>													
	\$ 0 - \$ 4,000	54	\$2	\$28	25	\$4	\$160	61	\$11	\$179	140	\$16	\$117
	4,001 - 8,000	46	2	51	60	24	398	95	46	486	201	72	360
	8,001 - 12,000	23	a/	15	95	41	427	186	130	700	304	171	563
	12,001 - 16,000	0	0	0	99	34	341	172	106	618	271	140	517
	16,001 - 20,000	0	0	0	99	16	167	215	82	384	314	99	315
	20,001 - 24,000	0	0	0	88	5	61	241	52	215	329	57	174
	24,001 - 28,000	0	0	0	8	a/	10	234	23	97	242	23	94
	28,001 and over	0	0	0	0	0	0	62	1	19	62	1	19
	Total	123	\$4	\$34	474	\$124	\$262	1,266	\$452	\$357	1,863	\$580	\$311
<b>Head of Household*</b>													
	\$ 0 - \$ 4,000	9	a/	\$42	107	\$18	\$164	104	\$22	\$210	220	\$40	\$181
	4,001 - 8,000	17	1	51	232	91	392	180	84	466	429	176	410
	8,001 - 12,000	3	a/	7	286	123	431	280	200	713	569	323	568
	12,001 - 16,000	0	0	0	265	86	323	210	127	605	475	213	448
	16,001 - 20,000	0	0	0	217	41	187	183	75	411	400	116	290
	20,001 - 24,000	0	0	0	177	15	84	144	37	257	321	52	162
	24,001 - 28,000	0	0	0	27	a/	13	94	11	113	121	11	91
	28,001 and over	0	0	0	0	0	0	20	a/	17	20	a/	17
	Total	29	\$1	\$44	1,311	\$374	\$285	1,215	\$556	\$457	2,555	\$931	\$364
<b>All</b>													
	\$ 0 - \$ 4,000	346	\$12	\$33	176	\$29	\$163	208	\$40	\$190	730	\$80	\$109
	4,001 - 8,000	413	22	53	344	135	392	307	145	471	1,064	301	283
	8,001 - 12,000	55	1	14	409	175	428	476	337	708	940	513	546
	12,001 - 16,000	0	0	0	381	125	328	391	239	611	772	364	471
	16,001 - 20,000	0	0	0	325	59	183	402	159	396	727	219	301
	20,001 - 24,000	0	0	0	270	21	77	387	89	231	657	110	168
	24,001 - 28,000	0	0	0	35	a/	12	332	34	102	367	34	93
	28,001 and over	0	0	0	0	0	0	83	2	18	83	2	18
	Total	814	\$34	\$42	1,940	\$544	\$280	2,586	\$1,044	\$404	5,340	\$1,622	\$304

\* Includes Married filing Separate status.

a/ Amount is less than \$500.

d/ Tax Law prohibits the disclosure of individual taxpayer information.



# Cayuga County

Filing Status	Earned Income	Number of Qualifying Children									Total		
		None			One			More than One			#	Credit (000's)	Avg. Credit
		#	Credit (000's)	Avg. Credit	#	Credit (000's)	Avg. Credit	#	Credit (000's)	Avg. Credit			
<b>Single</b>													
	\$ 0 - \$ 4,000	285	\$10	\$34	15	\$2	\$163	27	\$5	\$182	327	\$17	\$52
	4,001 - 8,000	345	18	53	40	16	394	13	6	430	398	40	99
	8,001 - 12,000	20	a/	9	26	11	415	7	5	682	53	16	297
	12,001 - 16,000	0	0	0	16	5	332	12	8	629	28	13	459
	16,001 - 20,000	0	0	0	13	3	200	3	1	480	16	4	252
	20,001 - 24,000	0	0	0	5	1	142	3	1	340	8	2	216
	24,001 - 28,000	0	0	0	2	a/	3	1	a/	d/	3	a/	29
	28,001 and over	0	0	0	0	0	0	0	0	0	0	0	0
	Total	650	\$28	\$43	117	\$38	\$322	66	\$25	\$384	833	\$91	\$109
<b>Married Filing Joint</b>													
	\$ 0 - \$ 4,000	31	\$1	\$29	22	\$3	\$157	40	\$8	\$197	93	\$12	\$132
	4,001 - 8,000	35	2	49	44	17	376	73	34	465	152	52	343
	8,001 - 12,000	16	a/	12	59	24	410	100	70	696	175	94	537
	12,001 - 16,000	0	0	0	53	18	331	138	79	575	191	97	508
	16,001 - 20,000	0	0	0	63	11	170	153	59	383	216	69	321
	20,001 - 24,000	0	0	0	78	5	65	175	40	227	253	45	177
	24,001 - 28,000	0	0	0	2	a/	8	163	16	96	165	16	95
	28,001 and over	0	0	0	0	0	0	35	1	22	35	1	22
	Total	82	\$3	\$34	321	\$77	\$241	877	\$306	\$348	1,280	\$386	\$301
<b>Head of Household*</b>													
	\$ 0 - \$ 4,000	11	a/	\$23	116	\$17	\$148	117	\$21	\$182	244	\$39	\$159
	4,001 - 8,000	14	1	53	187	73	393	198	95	479	399	169	424
	8,001 - 12,000	5	a/	10	250	109	434	245	176	716	500	284	568
	12,001 - 16,000	0	0	0	279	87	313	218	130	598	497	218	438
	16,001 - 20,000	0	0	0	236	43	183	191	76	399	427	120	280
	20,001 - 24,000	0	0	0	144	10	72	150	37	249	294	48	162
	24,001 - 28,000	0	0	0	6	a/	7	115	13	114	121	13	108
	28,001 and over	0	0	0	0	0	0	16	a/	21	16	a/	21
	Total	30	\$1	\$35	1,218	\$340	\$279	1,250	\$549	\$439	2,498	\$890	\$356
<b>All</b>													
	\$ 0 - \$ 4,000	327	\$11	\$33	153	\$23	\$151	184	\$34	\$185	664	\$68	\$102
	4,001 - 8,000	394	21	52	271	106	390	284	134	473	949	261	275
	8,001 - 12,000	41	a/	10	335	143	428	352	250	710	728	394	541
	12,001 - 16,000	0	0	0	348	110	316	368	217	590	716	327	457
	16,001 - 20,000	0	0	0	312	57	181	347	136	393	659	193	293
	20,001 - 24,000	0	0	0	227	16	71	328	78	238	555	94	170
	24,001 - 28,000	0	0	0	10	a/	6	279	29	103	289	29	100
	28,001 and over	0	0	0	0	0	0	51	1	22	51	1	22
	Total	762	\$32	\$42	1,656	\$455	\$275	2,193	\$880	\$401	4,611	\$1,367	\$296

\* Includes Married filing Separate status.

a/ Amount is less than \$500.

d/ Tax Law prohibits the disclosure of individual taxpayer information.

# Chautauqua County

Filing Status	Earned Income	Number of Qualifying Children									Total		
		None			One			More than One			#	Credit (000's)	Avg. Credit
		#	Credit (000's)	Avg. Credit	#	Credit (000's)	Avg. Credit	#	Credit (000's)	Avg. Credit			
<b>Single</b>													
	\$ 0 - \$ 4,000	574	\$19	\$34	50	\$8	\$168	57	\$10	\$178	681	\$38	\$56
	4,001 - 8,000	680	35	52	70	27	379	49	24	484	799	86	107
	8,001 - 12,000	36	a/	12	59	24	415	24	17	696	119	42	350
	12,001 - 16,000	0	0	0	14	5	346	14	9	633	28	14	490
	16,001 - 20,000	0	0	0	15	3	219	8	3	419	23	7	289
	20,001 - 24,000	0	0	0	3	a/	95	4	1	302	7	1	213
	24,001 - 28,000	0	0	0	1	a/	d/	2	a/	185	3	a/	128
	28,001 and over	0	0	0	0	0	0	1	a/	d/	1	a/	d/
	Total	1,290	\$55	\$43	212	\$68	\$320	159	\$64	\$405	1,661	\$187	\$113
<b>Married Filing Joint</b>													
	\$ 0 - \$ 4,000	66	\$2	\$28	52	\$8	\$160	51	\$9	\$180	169	\$19	\$115
	4,001 - 8,000	94	5	50	95	37	389	136	66	485	325	108	331
	8,001 - 12,000	28	a/	15	126	54	429	212	149	701	366	203	555
	12,001 - 16,000	0	0	0	138	47	338	292	176	604	430	223	519
	16,001 - 20,000	0	0	0	159	26	165	332	124	372	491	150	305
	20,001 - 24,000	0	0	0	149	10	66	362	83	229	511	93	181
	24,001 - 28,000	0	0	0	4	a/	21	348	34	97	352	34	96
	28,001 and over	0	0	0	0	0	0	66	2	24	66	2	24
	Total	188	\$7	\$37	723	\$182	\$252	1,799	\$642	\$357	2,710	\$831	\$307
<b>Head of Household*</b>													
	\$ 0 - \$ 4,000	26	\$1	\$35	227	\$36	\$160	267	\$48	\$181	520	\$86	\$165
	4,001 - 8,000	24	1	52	404	159	393	364	174	479	792	335	422
	8,001 - 12,000	13	a/	15	499	216	434	474	336	709	986	553	561
	12,001 - 16,000	0	0	0	442	142	322	365	221	605	807	363	450
	16,001 - 20,000	0	0	0	342	62	181	301	121	402	643	183	284
	20,001 - 24,000	0	0	0	237	18	75	196	48	247	433	66	153
	24,001 - 28,000	0	0	0	34	a/	8	120	13	105	154	13	83
	28,001 and over	0	0	0	0	0	0	31	1	25	31	1	25
	Total	63	\$2	\$37	2,185	\$634	\$290	2,118	\$963	\$454	4,366	\$1,599	\$366
<b>All</b>													
	\$ 0 - \$ 4,000	666	\$22	\$33	329	\$53	\$162	375	\$68	\$181	1,370	\$143	\$104
	4,001 - 8,000	798	41	52	569	222	391	549	264	481	1,916	528	275
	8,001 - 12,000	77	1	14	684	295	431	710	501	706	1,471	798	542
	12,001 - 16,000	0	0	0	594	194	326	671	406	605	1,265	600	474
	16,001 - 20,000	0	0	0	516	91	177	641	248	387	1,157	339	293
	20,001 - 24,000	0	0	0	389	28	72	562	132	236	951	160	169
	24,001 - 28,000	0	0	0	39	a/	9	470	47	99	509	47	93
	28,001 and over	0	0	0	0	0	0	98	2	24	98	2	24
	Total	1,541	\$64	\$42	3,120	\$884	\$283	4,076	\$1,669	\$409	8,737	\$2,617	\$300

\* Includes Married filing Separate status.

a/ Amount is less than \$500.

d/ Tax Law prohibits the disclosure of individual taxpayer information.

# Chemung County

Filing Status	Earned Income	Number of Qualifying Children									Total		
		None			One			More than One			#	Credit (000's)	Avg. Credit
		#	Credit (000's)	Avg. Credit	#	Credit (000's)	Avg. Credit	#	Credit (000's)	Avg. Credit			
<b>Single</b>													
	\$ 0 - \$ 4,000	340	\$12	\$34	109	\$17	\$152	94	\$16	\$175	543	\$45	\$82
	4,001 - 8,000	443	24	53	96	37	383	88	41	470	627	102	162
	8,001 - 12,000	27	a/	12	68	29	422	65	45	694	160	74	464
	12,001 - 16,000	0	0	0	24	8	341	18	11	636	42	20	467
	16,001 - 20,000	0	0	0	10	2	204	9	4	476	19	6	333
	20,001 - 24,000	0	0	0	8	1	116	3	1	268	11	2	157
	24,001 - 28,000	0	0	0	2	a/	32	0	0	0	2	a/	32
	28,001 and over	0	0	0	0	0	0	3	a/	41	3	a/	41
	Total	810	\$36	\$44	317	\$93	\$294	280	\$120	\$427	1,407	\$248	\$177
<b>Married Filing Joint</b>													
	\$ 0 - \$ 4,000	31	\$1	\$32	25	\$4	\$164	38	\$7	\$186	94	\$12	\$129
	4,001 - 8,000	58	3	48	60	23	391	68	34	496	186	60	323
	8,001 - 12,000	15	a/	16	57	25	431	134	94	705	206	119	579
	12,001 - 16,000	0	0	0	68	23	336	133	81	611	201	104	518
	16,001 - 20,000	0	0	0	86	14	167	159	63	395	245	77	315
	20,001 - 24,000	0	0	0	81	5	60	179	40	222	260	45	172
	24,001 - 28,000	0	0	0	4	a/	3	182	18	100	186	18	98
	28,001 and over	0	0	0	0	0	0	34	1	19	34	1	19
	Total	104	\$4	\$39	381	\$94	\$247	927	\$338	\$365	1,412	\$436	\$309
<b>Head of Household*</b>													
	\$ 0 - \$ 4,000	5	a/	\$22	128	\$21	\$163	83	\$16	\$192	216	\$37	\$171
	4,001 - 8,000	15	1	46	238	93	389	149	74	496	402	167	416
	8,001 - 12,000	10	a/	19	282	123	437	233	165	707	525	288	549
	12,001 - 16,000	0	0	0	296	94	319	239	142	596	535	237	442
	16,001 - 20,000	0	0	0	258	48	185	220	88	399	478	136	284
	20,001 - 24,000	0	0	0	192	15	77	137	35	258	329	50	152
	24,001 - 28,000	0	0	0	18	a/	10	115	12	105	133	12	92
	28,001 and over	0	0	0	0	0	0	25	1	22	25	1	22
	Total	30	\$1	\$33	1,412	\$394	\$279	1,201	\$533	\$443	2,643	\$927	\$351
<b>All</b>													
	\$ 0 - \$ 4,000	376	\$13	\$34	262	\$42	\$159	215	\$40	\$184	853	\$94	\$110
	4,001 - 8,000	516	27	52	394	153	388	305	149	488	1,215	329	271
	8,001 - 12,000	52	1	14	407	176	433	432	304	704	891	481	540
	12,001 - 16,000	0	0	0	388	125	323	390	235	603	778	360	463
	16,001 - 20,000	0	0	0	354	64	182	388	155	399	742	219	295
	20,001 - 24,000	0	0	0	281	21	73	319	76	238	600	96	161
	24,001 - 28,000	0	0	0	24	a/	10	297	30	102	321	31	95
	28,001 and over	0	0	0	0	0	0	62	1	21	62	1	21
	Total	944	\$41	\$43	2,110	\$581	\$276	2,408	\$990	\$411	5,462	\$1,612	\$295

\* Includes Married filing Separate status.  
a/ Amount is less than \$500.

# Chenango County

Filing Status	Earned Income	Number of Qualifying Children									Total		
		None			One			More than One			#	Credit (000's)	Avg. Credit
		#	Credit (000's)	Avg. Credit	#	Credit (000's)	Avg. Credit	#	Credit (000's)	Avg. Credit			
<b>Single</b>													
	\$ 0 - \$ 4,000	181	\$6	\$34	13	\$2	\$168	13	\$3	\$202	207	\$11	\$53
	4,001 - 8,000	242	13	52	26	9	339	13	6	476	281	28	98
	8,001 - 12,000	19	a/	10	13	5	419	8	6	690	40	11	279
	12,001 - 16,000	0	0	0	8	3	354	6	3	576	14	6	449
	16,001 - 20,000	0	0	0	8	2	231	4	2	457	12	4	306
	20,001 - 24,000	0	0	0	7	1	95	6	2	344	13	3	210
	24,001 - 28,000	0	0	0	2	a/	23	1	a/	d/	3	a/	49
	28,001 and over	0	0	0	0	0	0	0	0	0	0	0	0
	Total	442	\$19	\$43	77	\$22	\$284	51	\$22	\$427	570	\$63	\$110
<b>Married Filing Joint</b>													
	\$ 0 - \$ 4,000	32	\$1	\$29	30	\$5	\$157	39	\$7	\$181	101	\$13	\$126
	4,001 - 8,000	45	2	42	43	16	381	77	37	484	165	56	336
	8,001 - 12,000	9	a/	16	51	20	398	165	117	707	225	137	610
	12,001 - 16,000	0	0	0	58	19	335	150	94	625	208	113	544
	16,001 - 20,000	0	0	0	86	14	163	169	68	403	255	82	322
	20,001 - 24,000	0	0	0	78	4	57	161	36	223	239	40	169
	24,001 - 28,000	0	0	0	2	a/	5	147	14	94	149	14	93
	28,001 and over	0	0	0	0	0	0	29	1	19	29	1	19
	Total	86	\$3	\$35	348	\$79	\$228	937	\$373	\$398	1,371	\$455	\$332
<b>Head of Household*</b>													
	\$ 0 - \$ 4,000	13	a/	\$34	81	\$13	\$166	62	\$12	\$195	156	\$26	\$167
	4,001 - 8,000	9	1	57	159	63	397	120	58	482	288	122	422
	8,001 - 12,000	3	a/	10	181	79	436	140	100	716	324	179	553
	12,001 - 16,000	0	0	0	180	57	318	156	95	610	336	152	454
	16,001 - 20,000	0	0	0	159	29	185	129	52	401	288	81	282
	20,001 - 24,000	0	0	0	95	7	76	85	21	250	180	28	158
	24,001 - 28,000	0	0	0	12	a/	13	64	7	107	76	7	92
	28,001 and over	0	0	0	0	0	0	15	a/	28	15	a/	28
	Total	25	\$1	\$40	867	\$250	\$288	771	\$346	\$448	1,663	\$596	\$359
<b>All</b>													
	\$ 0 - \$ 4,000	226	\$8	\$34	124	\$20	\$164	114	\$22	\$191	464	\$50	\$107
	4,001 - 8,000	296	15	51	228	88	388	210	101	482	734	205	279
	8,001 - 12,000	31	a/	12	245	105	427	313	223	711	589	328	556
	12,001 - 16,000	0	0	0	246	80	323	312	192	616	558	272	487
	16,001 - 20,000	0	0	0	253	45	179	302	122	403	555	167	301
	20,001 - 24,000	0	0	0	180	12	69	252	59	235	432	72	166
	24,001 - 28,000	0	0	0	16	a/	13	212	21	98	228	21	92
	28,001 and over	0	0	0	0	0	0	44	1	22	44	1	22
	Total	553	\$23	\$42	1,292	\$351	\$271	1,759	\$741	\$421	3,604	\$1,114	\$309

\* Includes Married filing Separate status.

a/ Amount is less than \$500.

d/ Tax Law prohibits the disclosure of individual taxpayer information.

# Clinton County

Filing Status	Earned Income	Number of Qualifying Children									Total		
		None			One			More than One			#	Credit (000's)	Avg. Credit
		#	Credit (000's)	Avg. Credit	#	Credit (000's)	Avg. Credit	#	Credit (000's)	Avg. Credit			
<b>Single</b>													
	\$ 0 - \$4,000	231	\$8	\$36	35	\$6	\$174	27	\$4	\$160	293	\$19	\$64
	4,001 - 8,000	326	17	52	40	16	390	25	11	438	391	43	111
	8,001 - 12,000	16	a/	9	27	11	407	6	4	660	49	15	308
	12,001 - 16,000	0	0	0	13	5	353	4	3	628	17	7	418
	16,001 - 20,000	0	0	0	9	2	259	5	2	394	14	4	307
	20,001 - 24,000	0	0	0	4	a/	100	4	1	285	8	2	192
	24,001 - 28,000	0	0	0	0	0	0	0	0	0	0	0	0
	28,001 and over	0	0	0	0	0	0	1	a/	d/	1	a/	d/
	Total	573	\$25	\$44	128	\$40	\$312	72	\$25	\$345	773	\$90	\$117
<b>Married Filing Joint</b>													
	\$ 0 - \$4,000	34	\$1	\$32	36	\$6	\$158	42	\$8	\$196	112	\$15	\$134
	4,001 - 8,000	43	2	48	57	22	382	71	33	471	171	57	335
	8,001 - 12,000	10	a/	17	66	28	417	130	89	687	206	117	568
	12,001 - 16,000	0	0	0	94	31	325	155	94	604	249	124	498
	16,001 - 20,000	0	0	0	83	12	146	169	64	381	252	77	304
	20,001 - 24,000	0	0	0	72	5	67	188	41	218	260	46	176
	24,001 - 28,000	0	0	0	4	a/	20	133	14	102	137	14	99
	28,001 and over	0	0	0	0	0	0	28	a/	17	28	a/	17
	Total	87	\$3	\$38	412	\$103	\$249	916	\$344	\$376	1,415	\$450	\$318
<b>Head of Household*</b>													
	\$ 0 - \$4,000	13	a/	\$30	115	\$19	\$167	83	\$14	\$163	211	\$33	\$157
	4,001 - 8,000	10	1	54	225	89	395	133	66	494	368	155	422
	8,001 - 12,000	8	a/	14	269	116	431	205	146	714	482	262	544
	12,001 - 16,000	0	0	0	265	84	316	170	102	599	435	186	427
	16,001 - 20,000	0	0	0	226	42	185	152	58	383	378	100	264
	20,001 - 24,000	0	0	0	138	11	78	105	27	256	243	38	155
	24,001 - 28,000	0	0	0	4	a/	10	66	8	119	70	8	112
	28,001 and over	0	0	0	0	0	0	11	a/	21	11	a/	21
	Total	31	\$1	\$34	1,242	\$360	\$290	925	\$420	\$455	2,198	\$782	\$356
<b>All</b>													
	\$ 0 - \$4,000	278	\$10	\$36	186	\$31	\$167	152	\$26	\$172	616	\$67	\$109
	4,001 - 8,000	379	20	51	322	126	392	229	110	481	930	256	275
	8,001 - 12,000	34	a/	13	362	154	427	341	240	703	737	395	535
	12,001 - 16,000	0	0	0	372	119	320	329	198	601	701	317	452
	16,001 - 20,000	0	0	0	318	56	177	326	125	382	644	181	281
	20,001 - 24,000	0	0	0	214	16	74	297	69	232	511	85	166
	24,001 - 28,000	0	0	0	8	a/	15	199	21	107	207	21	104
	28,001 and over	0	0	0	0	0	0	40	1	18	40	1	18
	Total	691	\$30	\$43	1,782	\$503	\$282	1,913	\$789	\$413	4,386	\$1,322	\$301

\* Includes Married filing Separate status.

a/ Amount is less than \$500.

d/ Tax Law prohibits the disclosure of individual taxpayer information.

# Columbia County

Filing Status	Earned Income	Number of Qualifying Children									Total		
		None			One			More than One			#	Credit (000's)	Avg. Credit
		#	Credit (000's)	Avg. Credit	#	Credit (000's)	Avg. Credit	#	Credit (000's)	Avg. Credit			
<b>Single</b>													
	\$ 0 - \$ 4,000	242	\$8	\$35	19	\$3	\$136	8	\$1	\$172	269	\$12	\$46
	4,001 - 8,000	270	15	54	14	6	408	5	2	439	289	23	78
	8,001 - 12,000	18	a/	10	16	7	425	7	5	683	41	12	287
	12,001 - 16,000	0	0	0	8	3	323	1	a/	d/	9	3	341
	16,001 - 20,000	0	0	0	12	3	237	3	1	480	15	4	286
	20,001 - 24,000	0	0	0	2	a/	71	0	0	0	2	a/	71
	24,001 - 28,000	0	0	0	0	0	0	0	0	0	0	0	0
	28,001 and over	0	0	0	0	0	0	0	0	0	0	0	0
	Total	530	\$23	\$44	71	\$21	\$291	24	\$10	\$428	625	\$54	\$87
<b>Married Filing Joint</b>													
	\$ 0 - \$ 4,000	23	\$1	\$31	15	\$2	\$153	28	\$5	\$192	66	\$8	\$127
	4,001 - 8,000	35	2	52	33	12	376	41	19	471	109	34	308
	8,001 - 12,000	10	a/	13	40	17	419	73	51	697	123	68	551
	12,001 - 16,000	0	0	0	51	17	332	99	61	618	150	78	521
	16,001 - 20,000	0	0	0	58	10	167	121	48	393	179	57	320
	20,001 - 24,000	0	0	0	58	4	64	127	29	231	185	33	179
	24,001 - 28,000	0	0	0	3	a/	3	109	11	101	112	11	98
	28,001 and over	0	0	0	0	0	0	28	1	24	28	1	24
	Total	68	\$3	\$39	258	\$62	\$240	626	\$225	\$360	952	\$290	\$304
<b>Head of Household*</b>													
	\$ 0 - \$ 4,000	5	a/	\$38	105	\$17	\$163	91	\$17	\$189	201	\$34	\$171
	4,001 - 8,000	8	a/	48	150	60	401	110	54	494	268	115	429
	8,001 - 12,000	2	a/	12	190	84	442	131	93	707	323	176	546
	12,001 - 16,000	0	0	0	185	59	318	134	82	611	319	141	441
	16,001 - 20,000	0	0	0	174	33	188	143	59	414	317	92	290
	20,001 - 24,000	0	0	0	116	8	72	97	24	251	213	33	154
	24,001 - 28,000	0	0	0	14	a/	10	71	9	120	85	9	102
	28,001 and over	0	0	0	0	0	0	4	a/	25	4	a/	25
	Total	15	\$1	\$40	934	\$261	\$280	781	\$338	\$433	1,730	\$600	\$347
<b>All</b>													
	\$ 0 - \$ 4,000	270	\$9	\$35	139	\$22	\$158	127	\$24	\$188	536	\$55	\$103
	4,001 - 8,000	313	17	54	197	78	397	156	76	486	666	171	257
	8,001 - 12,000	30	a/	11	246	107	437	211	148	702	487	256	526
	12,001 - 16,000	0	0	0	244	78	321	234	144	614	478	222	464
	16,001 - 20,000	0	0	0	244	45	185	267	108	405	511	153	300
	20,001 - 24,000	0	0	0	176	12	69	224	54	240	400	66	165
	24,001 - 28,000	0	0	0	17	a/	9	180	19	108	197	20	100
	28,001 and over	0	0	0	0	0	0	32	1	24	32	1	24
	Total	613	\$27	\$43	1,263	\$344	\$272	1,431	\$574	\$401	3,307	\$944	\$285

\* Includes Married filing Separate status.

a/ Amount is less than \$500.

d/ Tax Law prohibits the disclosure of individual taxpayer information.

# Cortland County

Filing Status	Earned Income	Number of Qualifying Children									Total		
		None			One			More than One			#	Credit (000's)	Avg. Credit
		#	Credit (000's)	Avg. Credit	#	Credit (000's)	Avg. Credit	#	Credit (000's)	Avg. Credit			
<b>Single</b>													
	\$ 0 - \$ 4,000	208	\$7	\$32	36	\$6	\$165	32	\$6	\$202	276	\$19	\$69
	4,001 - 8,000	230	12	54	44	17	391	39	18	468	313	48	153
	8,001 - 12,000	9	a/	14	38	16	422	29	21	713	76	37	485
	12,001 - 16,000	0	0	0	18	7	367	8	5	635	26	12	450
	16,001 - 20,000	0	0	0	8	1	186	7	3	423	15	4	297
	20,001 - 24,000	0	0	0	4	a/	112	1	a/	d/	5	1	165
	24,001 - 28,000	0	0	0	1	a/	d/	0	0	0	1	a/	d/
	28,001 and over	0	0	0	0	0	0	0	0	0	0	0	0
	Total	447	\$19	\$43	149	\$48	\$320	116	\$54	\$464	712	\$121	\$170
<b>Married Filing Joint</b>													
	\$ 0 - \$ 4,000	37	\$1	\$24	11	\$1	\$113	32	\$6	\$183	80	\$8	\$100
	4,001 - 8,000	36	2	47	25	10	417	46	21	457	107	33	310
	8,001 - 12,000	8	a/	12	36	15	406	82	55	676	126	70	556
	12,001 - 16,000	0	0	0	47	15	315	85	51	598	132	66	497
	16,001 - 20,000	0	0	0	50	9	179	96	35	368	146	44	303
	20,001 - 24,000	0	0	0	46	3	61	116	27	231	162	30	183
	24,001 - 28,000	0	0	0	2	a/	24	136	13	96	138	13	95
	28,001 and over	0	0	0	0	0	0	19	a/	21	19	a/	21
	Total	81	\$3	\$33	217	\$53	\$244	612	\$209	\$341	910	\$264	\$290
<b>Head of Household*</b>													
	\$ 0 - \$ 4,000	6	a/	\$40	52	\$7	\$138	34	\$5	\$156	92	\$13	\$138
	4,001 - 8,000	6	a/	60	90	35	388	79	40	503	175	75	429
	8,001 - 12,000	5	a/	17	150	63	421	127	88	697	282	152	538
	12,001 - 16,000	0	0	0	175	57	326	130	77	589	305	134	438
	16,001 - 20,000	0	0	0	137	25	180	105	41	392	242	66	272
	20,001 - 24,000	0	0	0	97	7	77	77	20	260	174	28	158
	24,001 - 28,000	0	0	0	13	a/	11	50	5	107	63	6	88
	28,001 and over	0	0	0	0	0	0	12	a/	19	12	a/	19
	Total	17	\$1	\$40	714	\$195	\$273	614	\$277	\$451	1,345	\$472	\$351
<b>All</b>													
	\$ 0 - \$ 4,000	251	\$8	\$31	99	\$14	\$145	98	\$18	\$180	448	\$40	\$89
	4,001 - 8,000	272	14	53	159	63	393	164	79	482	595	156	262
	8,001 - 12,000	22	a/	14	224	94	419	238	165	691	484	259	535
	12,001 - 16,000	0	0	0	240	78	327	223	133	594	463	211	456
	16,001 - 20,000	0	0	0	195	35	180	208	79	382	403	115	284
	20,001 - 24,000	0	0	0	147	11	73	194	47	243	341	58	170
	24,001 - 28,000	0	0	0	16	a/	13	186	18	99	202	19	92
	28,001 and over	0	0	0	0	0	0	31	1	20	31	1	20
	Total	545	\$23	\$41	1,080	\$295	\$273	1,342	\$539	\$402	2,967	\$857	\$289

\* Includes Married filing Separate status.

a/ Amount is less than \$500.

d/ Tax Law prohibits the disclosure of individual taxpayer information.

# Delaware County

Filing Status	Earned Income	Number of Qualifying Children									Total		
		None			One			More than One			#	Credit (000's)	Avg. Credit
		#	Credit (000's)	Avg. Credit	#	Credit (000's)	Avg. Credit	#	Credit (000's)	Avg. Credit			
<b>Single</b>													
	\$ 0 - \$ 4,000	195	\$6	\$32	19	\$3	\$156	7	\$1	\$199	221	\$11	\$48
	4,001 - 8,000	227	12	53	23	8	357	13	6	461	263	26	100
	8,001 - 12,000	9	a/	8	6	3	433	6	4	710	21	7	330
	12,001 - 16,000	0	0	0	11	4	339	5	3	642	16	7	434
	16,001 - 20,000	0	0	0	2	a/	169	1	1	d/	3	1	282
	20,001 - 24,000	0	0	0	5	1	121	1	a/	d/	6	1	163
	24,001 - 28,000	0	0	0	0	0	0	0	0	0	0	0	0
	28,001 and over	0	0	0	0	0	0	0	0	0	0	0	0
	Total	431	\$18	\$43	66	\$18	\$279	33	\$16	\$477	530	\$53	\$99
<b>Married Filing Joint</b>													
	\$ 0 - \$ 4,000	43	\$1	\$26	14	\$2	\$137	38	\$6	\$162	95	\$9	\$97
	4,001 - 8,000	47	2	49	46	18	391	68	31	453	161	51	317
	8,001 - 12,000	14	a/	13	54	23	427	120	83	691	188	106	565
	12,001 - 16,000	0	0	0	79	25	315	116	70	607	195	95	489
	16,001 - 20,000	0	0	0	62	10	164	141	56	400	203	67	328
	20,001 - 24,000	0	0	0	57	3	59	126	29	228	183	32	175
	24,001 - 28,000	0	0	0	4	a/	6	152	13	85	156	13	83
	28,001 and over	0	0	0	0	0	0	36	1	21	36	1	21
	Total	104	\$4	\$35	316	\$81	\$258	797	\$289	\$363	1,217	\$374	\$307
<b>Head of Household*</b>													
	\$ 0 - \$ 4,000	4	a/	\$14	66	\$11	\$172	55	\$11	\$196	125	\$22	\$177
	4,001 - 8,000	5	a/	56	127	50	392	85	42	489	217	92	422
	8,001 - 12,000	2	a/	16	122	54	445	137	98	712	261	152	582
	12,001 - 16,000	0	0	0	131	42	319	115	69	604	246	111	452
	16,001 - 20,000	0	0	0	123	23	189	88	36	409	211	59	281
	20,001 - 24,000	0	0	0	78	6	78	65	17	257	143	23	160
	24,001 - 28,000	0	0	0	4	a/	9	51	6	110	55	6	103
	28,001 and over	0	0	0	0	0	0	12	a/	27	12	a/	27
	Total	11	a/	\$33	651	\$187	\$287	608	\$278	\$457	1,270	\$465	\$366
<b>All</b>													
	\$ 0 - \$ 4,000	242	\$7	\$31	99	\$16	\$164	100	\$18	\$183	441	\$42	\$95
	4,001 - 8,000	279	15	52	196	76	388	166	78	472	641	169	264
	8,001 - 12,000	25	a/	12	182	80	439	263	185	703	470	265	564
	12,001 - 16,000	0	0	0	221	70	319	236	143	607	457	214	467
	16,001 - 20,000	0	0	0	187	34	181	230	93	404	417	127	304
	20,001 - 24,000	0	0	0	140	10	72	192	46	239	332	56	168
	24,001 - 28,000	0	0	0	8	a/	8	203	18	91	211	19	88
	28,001 and over	0	0	0	0	0	0	48	1	23	48	1	23
	Total	546	\$22	\$41	1,033	\$287	\$277	1,438	\$583	\$405	3,017	\$892	\$296

\* Includes Married filing Separate status.

a/ Amount is less than \$500.

d/ Tax Law prohibits the disclosure of individual taxpayer information.



# Dutchess County

Filing Status	Earned Income	Number of Qualifying Children									Total		
		None			One			More than One			#	Credit (000's)	Avg. Credit
		#	Credit (000's)	Avg. Credit	#	Credit (000's)	Avg. Credit	#	Credit (000's)	Avg. Credit			
<b>Single</b>													
	\$ 0 - \$ 4,000	641	\$22	\$34	94	\$16	\$166	71	\$13	\$179	806	\$50	\$63
	4,001 - 8,000	940	50	54	107	41	383	104	49	467	1,151	140	122
	8,001 - 12,000	44	1	12	57	23	412	39	27	699	140	51	366
	12,001 - 16,000	0	0	0	34	12	341	12	8	641	46	19	419
	16,001 - 20,000	0	0	0	27	6	222	8	3	435	35	9	271
	20,001 - 24,000	0	0	0	17	2	111	5	1	223	22	3	136
	24,001 - 28,000	0	0	0	3	a/	12	4	1	154	7	1	93
	28,001 and over	0	0	0	0	0	0	2	a/	41	2	a/	41
	Total	1,625	\$73	\$45	339	\$100	\$294	245	\$102	\$415	2,209	\$274	\$124
<b>Married Filing Joint</b>													
	\$ 0 - \$ 4,000	42	\$1	\$31	29	\$4	\$150	69	\$12	\$178	140	\$18	\$128
	4,001 - 8,000	66	3	53	66	25	375	107	47	436	239	75	313
	8,001 - 12,000	31	1	16	109	45	409	205	138	673	345	183	530
	12,001 - 16,000	0	0	0	120	42	352	235	142	604	355	184	519
	16,001 - 20,000	0	0	0	148	25	170	301	118	391	449	143	318
	20,001 - 24,000	0	0	0	136	9	67	253	57	226	389	66	170
	24,001 - 28,000	0	0	0	5	a/	7	271	26	97	276	26	95
	28,001 and over	0	0	0	0	0	0	65	2	24	65	2	24
	Total	139	\$5	\$38	613	\$150	\$245	1,506	\$541	\$360	2,258	\$697	\$309
<b>Head of Household*</b>													
	\$ 0 - \$ 4,000	28	\$1	\$36	194	\$30	\$157	134	\$24	\$180	356	\$56	\$156
	4,001 - 8,000	33	2	54	403	157	389	258	122	474	694	281	405
	8,001 - 12,000	30	a/	14	486	211	434	419	297	708	935	508	544
	12,001 - 16,000	0	0	0	533	172	322	415	246	594	948	418	441
	16,001 - 20,000	0	0	0	517	97	187	397	158	398	914	255	278
	20,001 - 24,000	0	0	0	461	34	73	309	79	255	770	112	146
	24,001 - 28,000	0	0	0	63	1	9	257	28	108	320	28	88
	28,001 and over	0	0	0	0	0	0	49	1	27	49	1	27
	Total	91	\$3	\$36	2,657	\$701	\$264	2,238	\$955	\$427	4,986	\$1,659	\$333
<b>All</b>													
	\$ 0 - \$ 4,000	711	\$24	\$34	317	\$50	\$159	274	\$49	\$179	1,302	\$124	\$95
	4,001 - 8,000	1,039	56	54	576	223	387	469	217	464	2,084	496	238
	8,001 - 12,000	105	1	14	652	279	428	663	462	697	1,420	743	523
	12,001 - 16,000	0	0	0	687	226	328	662	396	598	1,349	622	461
	16,001 - 20,000	0	0	0	692	128	184	706	279	395	1,398	407	291
	20,001 - 24,000	0	0	0	614	44	72	567	137	242	1,181	181	154
	24,001 - 28,000	0	0	0	71	1	9	532	54	102	603	55	91
	28,001 and over	0	0	0	0	0	0	116	3	25	116	3	25
	Total	1,855	\$81	\$44	3,609	\$951	\$263	3,989	\$1,598	\$401	9,453	\$2,630	\$278

\* Includes Married filing Separate status.  
a/ Amount is less than \$500.

# Erie County

Filing Status	Earned Income	Number of Qualifying Children									Total		
		None			One			More than One			#	Credit (000's)	Avg. Credit
		#	Credit (000's)	Avg. Credit	#	Credit (000's)	Avg. Credit	#	Credit (000's)	Avg. Credit			
<b>Single</b>													
	\$ 0 - \$ 4,000	3,023	\$103	\$34	343	\$52	\$151	318	\$57	\$181	3,684	\$212	\$58
	4,001 - 8,000	4,246	224	53	353	134	381	175	81	466	4,774	440	92
	8,001 - 12,000	286	3	11	213	88	415	87	59	681	586	151	257
	12,001 - 16,000	0	0	0	163	56	346	54	34	623	217	90	415
	16,001 - 20,000	0	0	0	94	21	223	30	14	462	124	35	281
	20,001 - 24,000	0	0	0	62	6	101	26	8	295	88	14	158
	24,001 - 28,000	0	0	0	21	1	24	15	2	150	36	3	77
	28,001 and over	0	0	0	0	0	0	5	a/	14	5	a/	14
	Total	7,555	\$331	\$44	1,249	\$359	\$287	710	\$256	\$360	9,514	\$945	\$99
<b>Married Filing Joint</b>													
	\$ 0 - \$ 4,000	225	\$6	\$28	177	\$24	\$135	288	\$53	\$185	690	\$83	\$121
	4,001 - 8,000	300	14	48	299	115	385	509	242	476	1,108	372	335
	8,001 - 12,000	101	2	16	411	166	405	765	529	692	1,277	697	546
	12,001 - 16,000	0	0	0	466	153	329	941	569	605	1,407	722	513
	16,001 - 20,000	0	0	0	538	89	166	1,053	415	395	1,591	505	317
	20,001 - 24,000	0	0	0	523	34	64	1,107	246	222	1,630	280	172
	24,001 - 28,000	0	0	0	23	a/	5	1,194	115	96	1,217	115	94
	28,001 and over	0	0	0	0	0	0	260	5	20	260	5	20
	Total	626	\$22	\$36	2,437	\$581	\$239	6,117	\$2,175	\$356	9,180	\$2,779	\$303
<b>Head of Household*</b>													
	\$ 0 - \$ 4,000	146	\$4	\$30	1,721	\$268	\$156	1,613	\$297	\$184	3,480	\$570	\$164
	4,001 - 8,000	173	9	51	2,525	989	392	2,396	1,153	481	5,094	2,151	422
	8,001 - 12,000	99	2	17	2,798	1,219	436	2,552	1,816	712	5,449	3,036	557
	12,001 - 16,000	0	0	0	2,680	857	320	2,339	1,422	608	5,019	2,279	454
	16,001 - 20,000	0	0	0	2,420	451	186	1,925	782	406	4,345	1,232	284
	20,001 - 24,000	0	0	0	1,757	132	75	1,358	345	254	3,115	476	153
	24,001 - 28,000	0	0	0	194	2	9	932	106	114	1,126	108	96
	28,001 and over	0	0	0	0	0	0	182	5	26	182	5	26
	Total	418	\$15	\$35	14,095	\$3,917	\$278	13,297	\$5,926	\$446	27,810	\$9,857	\$354
<b>All</b>													
	\$ 0 - \$ 4,000	3,394	\$114	\$34	2,241	\$344	\$153	2,219	\$408	\$184	7,854	\$866	\$110
	4,001 - 8,000	4,719	248	52	3,177	1,239	390	3,080	1,477	479	10,976	2,963	270
	8,001 - 12,000	486	6	13	3,422	1,474	431	3,404	2,404	706	7,312	3,884	531
	12,001 - 16,000	0	0	0	3,309	1,066	322	3,334	2,025	607	6,643	3,091	465
	16,001 - 20,000	0	0	0	3,052	561	184	3,008	1,211	403	6,060	1,772	292
	20,001 - 24,000	0	0	0	2,342	171	73	2,491	599	240	4,833	770	159
	24,001 - 28,000	0	0	0	238	2	10	2,141	223	104	2,379	226	95
	28,001 and over	0	0	0	0	0	0	447	10	23	447	10	23
	Total	8,599	\$368	\$43	17,781	\$4,857	\$273	20,124	\$8,357	\$415	46,504	\$13,581	\$292

\* Includes Married filing Separate status.  
a/ Amount is less than \$500.

# Essex County

Filing Status	Earned Income	Number of Qualifying Children									Total		
		None			One			More than One			#	Credit (000's)	Avg. Credit
		#	Credit (000's)	Avg. Credit	#	Credit (000's)	Avg. Credit	#	Credit (000's)	Avg. Credit			
<b>Single</b>													
	\$ 0 - \$ 4,000	135	\$5	\$37	13	\$2	\$154	6	\$1	\$195	154	\$8	\$53
	4,001 - 8,000	180	9	51	9	4	411	3	1	385	192	14	73
	8,001 - 12,000	18	a/	14	12	5	390	2	1	691	32	6	197
	12,001 - 16,000	0	0	0	6	2	321	3	2	561	9	4	401
	16,001 - 20,000	0	0	0	4	1	244	0	0	0	4	1	244
	20,001 - 24,000	0	0	0	1	a/	d/	0	0	0	1	a/	d/
	24,001 - 28,000	0	0	0	0	0	0	0	0	0	0	0	0
	28,001 and over	0	0	0	0	0	0	0	0	0	0	0	0
	Total	333	\$14	\$43	45	\$13	\$297	14	\$5	\$385	392	\$33	\$85
<b>Married Filing Joint</b>													
	\$ 0 - \$ 4,000	18	\$1	\$31	17	\$3	\$152	25	\$5	\$212	60	\$8	\$141
	4,001 - 8,000	20	1	52	17	6	372	33	15	451	70	22	318
	8,001 - 12,000	5	a/	25	28	11	390	56	38	683	89	49	554
	12,001 - 16,000	0	0	0	31	11	371	73	44	608	104	56	537
	16,001 - 20,000	0	0	0	55	9	167	81	31	378	136	40	292
	20,001 - 24,000	0	0	0	52	3	54	112	24	217	164	27	165
	24,001 - 28,000	0	0	0	3	a/	4	103	9	90	106	9	88
	28,001 and over	0	0	0	0	0	0	12	a/	22	12	a/	22
	Total	43	\$2	\$40	203	\$43	\$213	495	\$167	\$338	741	\$212	\$287
<b>Head of Household*</b>													
	\$ 0 - \$ 4,000	3	a/	\$26	42	\$6	\$146	45	\$8	\$176	90	\$14	\$157
	4,001 - 8,000	6	a/	49	111	44	393	75	34	456	192	78	407
	8,001 - 12,000	3	a/	15	135	57	423	91	64	702	229	121	528
	12,001 - 16,000	0	0	0	123	39	317	89	56	630	212	95	449
	16,001 - 20,000	0	0	0	102	19	190	61	25	408	163	44	271
	20,001 - 24,000	0	0	0	69	5	78	54	14	255	123	19	156
	24,001 - 28,000	0	0	0	3	a/	9	24	3	125	27	3	112
	28,001 and over	0	0	0	0	0	0	7	a/	27	7	a/	27
	Total	12	a/	\$35	585	\$171	\$292	446	\$204	\$457	1,043	\$375	\$359
<b>All</b>													
	\$ 0 - \$ 4,000	156	\$6	\$36	72	\$11	\$149	76	\$14	\$189	304	\$31	\$101
	4,001 - 8,000	206	10	51	137	54	392	111	50	453	454	114	252
	8,001 - 12,000	26	a/	16	175	73	415	149	103	694	350	177	504
	12,001 - 16,000	0	0	0	160	52	328	165	102	619	325	155	476
	16,001 - 20,000	0	0	0	161	30	183	142	55	391	303	85	280
	20,001 - 24,000	0	0	0	122	8	68	166	38	229	288	46	161
	24,001 - 28,000	0	0	0	6	a/	7	127	12	97	133	12	93
	28,001 and over	0	0	0	0	0	0	19	a/	24	19	a/	24
	Total	388	\$17	\$43	833	\$227	\$273	955	\$377	\$394	2,176	\$620	\$285

\* Includes Married filing Separate status.

a/ Amount is less than \$500.

d/ Tax Law prohibits the disclosure of individual taxpayer information.

# Franklin County

Filing Status	Earned Income	Number of Qualifying Children									Total		
		None			One			More than One			#	Credit (000's)	Avg. Credit
		#	Credit (000's)	Avg. Credit	#	Credit (000's)	Avg. Credit	#	Credit (000's)	Avg. Credit			
<b>Single</b>													
	\$ 0 - \$ 4,000	184	\$6	\$34	22	\$4	\$193	8	\$2	\$210	214	\$12	\$57
	4,001 - 8,000	233	13	54	30	11	379	11	5	449	274	29	105
	8,001 - 12,000	13	a/	13	21	8	397	11	8	685	45	16	357
	12,001 - 16,000	0	0	0	10	4	376	12	7	614	22	11	505
	16,001 - 20,000	0	0	0	6	1	191	4	2	471	10	3	303
	20,001 - 24,000	0	0	0	2	a/	111	1	a/	d/	3	1	184
	24,001 - 28,000	0	0	0	0	0	0	2	a/	181	2	a/	181
	28,001 and over	0	0	0	0	0	0	0	0	0	0	0	0
	Total	430	\$19	\$44	91	\$29	\$319	49	\$24	\$492	570	\$72	\$126
<b>Married Filing Joint</b>													
	\$ 0 - \$ 4,000	33	\$1	\$34	27	\$4	\$130	40	\$7	\$173	100	\$12	\$116
	4,001 - 8,000	32	2	48	38	15	399	63	31	490	133	48	358
	8,001 - 12,000	11	a/	14	55	24	439	133	94	707	199	118	595
	12,001 - 16,000	0	0	0	66	21	316	140	83	592	206	104	504
	16,001 - 20,000	0	0	0	71	12	168	158	62	395	229	74	324
	20,001 - 24,000	0	0	0	46	3	69	144	31	218	190	35	182
	24,001 - 28,000	0	0	0	2	a/	3	129	13	98	131	13	97
	28,001 and over	0	0	0	0	0	0	21	a/	23	21	a/	23
	Total	76	\$3	\$37	305	\$79	\$258	828	\$322	\$389	1,209	\$403	\$334
<b>Head of Household*</b>													
	\$ 0 - \$ 4,000	12	a/	\$27	90	\$14	\$157	55	\$10	\$174	157	\$24	\$153
	4,001 - 8,000	8	a/	43	133	53	402	95	47	489	236	100	425
	8,001 - 12,000	3	a/	12	177	77	434	135	96	708	315	172	547
	12,001 - 16,000	0	0	0	169	53	314	142	85	601	311	138	445
	16,001 - 20,000	0	0	0	116	22	193	116	47	407	232	70	300
	20,001 - 24,000	0	0	0	95	8	83	68	18	260	163	26	157
	24,001 - 28,000	0	0	0	11	a/	8	60	7	112	71	7	96
	28,001 and over	0	0	0	0	0	0	9	a/	22	9	a/	22
	Total	23	\$1	\$31	791	\$228	\$288	680	\$309	\$454	1,494	\$537	\$360
<b>All</b>													
	\$ 0 - \$ 4,000	229	\$8	\$33	139	\$22	\$158	103	\$18	\$177	471	\$48	\$101
	4,001 - 8,000	273	14	53	201	80	398	169	82	487	643	177	275
	8,001 - 12,000	27	a/	14	253	109	432	279	197	707	559	307	549
	12,001 - 16,000	0	0	0	245	78	317	294	176	597	539	253	470
	16,001 - 20,000	0	0	0	193	35	184	278	111	401	471	147	312
	20,001 - 24,000	0	0	0	143	11	79	213	49	232	356	61	170
	24,001 - 28,000	0	0	0	13	a/	7	191	20	103	204	20	97
	28,001 and over	0	0	0	0	0	0	30	1	23	30	1	23
	Total	529	\$22	\$42	1,187	\$336	\$283	1,557	\$655	\$420	3,273	\$1,013	\$309

\* Includes Married filing Separate status.

a/ Amount is less than \$500.

d/ Tax Law prohibits the disclosure of individual taxpayer information.

# Fulton County

Filing Status	Earned Income	Number of Qualifying Children									Total		
		None			One			More than One			#	Credit (000's)	Avg. Credit
		#	Credit (000's)	Avg. Credit	#	Credit (000's)	Avg. Credit	#	Credit (000's)	Avg. Credit			
<b>Single</b>													
	\$ 0 - \$ 4,000	226	\$7	\$32	23	\$3	\$147	12	\$2	\$169	261	\$13	\$48
	4,001 - 8,000	251	13	52	21	8	373	6	3	428	278	23	84
	8,001 - 12,000	11	a/	11	11	5	422	6	4	675	28	9	315
	12,001 - 16,000	0	0	0	14	5	358	4	2	609	18	7	414
	16,001 - 20,000	0	0	0	9	2	225	4	2	478	13	4	302
	20,001 - 24,000	0	0	0	6	a/	77	0	0	0	6	a/	77
	24,001 - 28,000	0	0	0	1	a/	d/	0	0	0	1	a/	d/
	28,001 and over	0	0	0	0	0	0	0	0	0	0	0	0
	Total	488	\$20	\$42	85	\$23	\$275	32	\$13	\$406	605	\$57	\$94
<b>Married Filing Joint</b>													
	\$ 0 - \$ 4,000	29	\$1	\$32	27	\$3	\$127	23	\$4	\$162	79	\$8	\$102
	4,001 - 8,000	43	2	50	35	13	384	69	34	488	147	49	335
	8,001 - 12,000	8	a/	10	46	19	411	105	74	704	159	93	584
	12,001 - 16,000	0	0	0	68	21	311	131	81	619	199	102	514
	16,001 - 20,000	0	0	0	75	13	179	128	50	389	203	63	311
	20,001 - 24,000	0	0	0	70	5	66	145	33	230	215	38	177
	24,001 - 28,000	0	0	0	5	a/	13	142	15	103	147	15	100
	28,001 and over	0	0	0	0	0	0	25	1	21	25	1	21
	Total	80	\$3	\$40	326	\$75	\$230	768	\$291	\$378	1,174	\$369	\$314
<b>Head of Household*</b>													
	\$ 0 - \$ 4,000	6	a/	\$37	83	\$13	\$162	87	\$16	\$181	176	\$29	\$167
	4,001 - 8,000	17	1	46	190	75	394	153	77	502	360	153	424
	8,001 - 12,000	12	a/	17	213	93	435	183	131	716	408	224	549
	12,001 - 16,000	0	0	0	229	72	314	165	99	602	394	171	434
	16,001 - 20,000	0	0	0	221	41	186	167	69	413	388	110	283
	20,001 - 24,000	0	0	0	160	12	77	119	31	259	279	43	154
	24,001 - 28,000	0	0	0	13	a/	8	64	8	127	77	8	107
	28,001 and over	0	0	0	0	0	0	14	a/	30	14	a/	30
	Total	35	\$1	\$34	1,109	\$306	\$276	952	\$431	\$453	2,096	\$739	\$352
<b>All</b>													
	\$ 0 - \$ 4,000	261	\$8	\$32	133	\$20	\$152	122	\$21	\$176	516	\$50	\$97
	4,001 - 8,000	311	16	51	246	96	391	228	113	496	785	225	287
	8,001 - 12,000	31	a/	13	270	116	430	294	209	711	595	326	547
	12,001 - 16,000	0	0	0	311	98	315	300	183	609	611	281	460
	16,001 - 20,000	0	0	0	305	56	185	299	121	403	604	177	293
	20,001 - 24,000	0	0	0	236	17	73	264	64	243	500	82	163
	24,001 - 28,000	0	0	0	19	a/	10	206	23	110	225	23	102
	28,001 and over	0	0	0	0	0	0	39	1	24	39	1	24
	Total	603	\$25	\$41	1,520	\$405	\$266	1,752	\$735	\$419	3,875	\$1,164	\$300

\* Includes Married filing Separate status.

a/ Amount is less than \$500.

d/ Tax Law prohibits the disclosure of individual taxpayer information.

# Genesee County

Filing Status	Earned Income	Number of Qualifying Children									Total		
		None			One			More than One			#	Credit (000's)	Avg. Credit
		#	Credit (000's)	Avg. Credit	#	Credit (000's)	Avg. Credit	#	Credit (000's)	Avg. Credit			
<b>Single</b>													
	\$ 0 - \$ 4,000	216	\$7	\$32	27	\$5	\$170	18	\$4	\$200	261	\$15	\$58
	4,001 - 8,000	256	13	52	47	18	389	27	12	463	330	44	134
	8,001 - 12,000	15	a/	8	19	8	427	14	10	702	48	18	376
	12,001 - 16,000	0	0	0	11	4	357	5	3	627	16	7	442
	16,001 - 20,000	0	0	0	9	2	220	2	1	458	11	3	263
	20,001 - 24,000	0	0	0	4	a/	87	3	1	325	7	1	189
	24,001 - 28,000	0	0	0	0	0	0	1	a/	d/	1	a/	d/
	28,001 and over	0	0	0	0	0	0	0	0	0	0	0	0
	Total	487	\$20	\$42	117	\$37	\$318	70	\$31	\$444	674	\$89	\$132
<b>Married Filing Joint</b>													
	\$ 0 - \$ 4,000	25	\$1	\$24	10	\$2	\$166	19	\$3	\$168	54	\$5	\$101
	4,001 - 8,000	31	1	47	19	8	405	39	19	499	89	29	321
	8,001 - 12,000	11	a/	9	31	13	430	47	33	710	89	47	526
	12,001 - 16,000	0	0	0	35	10	294	92	54	587	127	64	506
	16,001 - 20,000	0	0	0	45	7	159	115	44	385	160	51	321
	20,001 - 24,000	0	0	0	47	3	66	130	28	219	177	32	179
	24,001 - 28,000	0	0	0	2	a/	32	137	13	94	139	13	93
	28,001 and over	0	0	0	0	0	0	23	1	24	23	1	24
	Total	67	\$2	\$32	189	\$43	\$229	602	\$196	\$326	858	\$242	\$282
<b>Head of Household*</b>													
	\$ 0 - \$ 4,000	3	a/	\$35	62	\$10	\$166	42	\$7	\$168	107	\$17	\$163
	4,001 - 8,000	11	1	48	103	39	383	89	43	489	203	83	411
	8,001 - 12,000	7	a/	20	165	72	437	128	91	712	300	163	544
	12,001 - 16,000	0	0	0	178	57	319	143	86	598	321	142	443
	16,001 - 20,000	0	0	0	158	30	189	120	50	413	278	79	286
	20,001 - 24,000	0	0	0	95	7	79	97	25	253	192	32	167
	24,001 - 28,000	0	0	0	18	a/	8	72	8	104	90	8	85
	28,001 and over	0	0	0	0	0	0	11	a/	24	11	a/	24
	Total	21	\$1	\$36	779	\$216	\$277	702	\$309	\$440	1,502	\$526	\$350
<b>All</b>													
	\$ 0 - \$ 4,000	244	\$8	\$31	99	\$17	\$167	79	\$14	\$175	422	\$38	\$90
	4,001 - 8,000	298	15	51	169	65	387	155	75	487	622	156	251
	8,001 - 12,000	33	a/	11	215	93	435	189	134	710	437	228	522
	12,001 - 16,000	0	0	0	224	71	317	240	143	594	464	214	460
	16,001 - 20,000	0	0	0	212	39	184	237	95	400	449	134	298
	20,001 - 24,000	0	0	0	146	11	75	230	54	235	376	65	173
	24,001 - 28,000	0	0	0	20	a/	11	210	21	98	230	21	90
	28,001 and over	0	0	0	0	0	0	34	1	24	34	1	24
	Total	575	\$23	\$40	1,085	\$297	\$273	1,374	\$536	\$390	3,034	\$856	\$282

\* Includes Married filing Separate status.

a/ Amount is less than \$500.

d/ Tax Law prohibits the disclosure of individual taxpayer information.

# Greene County

Filing Status	Earned Income	Number of Qualifying Children									Total		
		None			One			More than One			#	Credit (000's)	Avg. Credit
		#	Credit (000's)	Avg. Credit	#	Credit (000's)	Avg. Credit	#	Credit (000's)	Avg. Credit			
<b>Single</b>													
	\$ 0 - \$ 4,000	166	\$5	\$33	16	\$3	\$178	17	\$3	\$202	199	\$12	\$59
	4,001 - 8,000	237	12	52	21	8	366	12	5	413	270	25	93
	8,001 - 12,000	17	a/	11	15	6	425	5	4	716	37	10	274
	12,001 - 16,000	0	0	0	5	2	327	1	1	d/	6	2	387
	16,001 - 20,000	0	0	0	2	a/	244	2	1	430	4	1	337
	20,001 - 24,000	0	0	0	3	a/	135	2	1	308	5	1	204
	24,001 - 28,000	0	0	0	1	a/	d/	0	0	0	1	a/	d/
	28,001 and over	0	0	0	0	0	0	0	0	0	0	0	0
	Total	420	\$18	\$43	63	\$19	\$308	39	\$14	\$362	522	\$52	\$99
<b>Married Filing Joint</b>													
	\$ 0 - \$ 4,000	29	\$1	\$30	19	\$3	\$137	16	\$2	\$147	64	\$6	\$91
	4,001 - 8,000	30	2	53	27	10	377	48	24	498	105	36	340
	8,001 - 12,000	16	a/	12	36	14	403	65	45	700	117	60	514
	12,001 - 16,000	0	0	0	32	10	317	92	56	610	124	66	535
	16,001 - 20,000	0	0	0	68	12	179	95	39	408	163	51	312
	20,001 - 24,000	0	0	0	61	3	56	97	22	224	158	25	159
	24,001 - 28,000	0	0	0	0	0	0	89	9	104	89	9	104
	28,001 and over	0	0	0	0	0	0	23	1	23	23	1	23
	Total	75	\$3	\$35	243	\$53	\$218	525	\$198	\$377	843	\$254	\$301
<b>Head of Household*</b>													
	\$ 0 - \$ 4,000	7	a/	\$38	60	\$9	\$151	46	\$9	\$188	113	\$18	\$159
	4,001 - 8,000	5	a/	52	119	47	394	74	37	498	198	84	424
	8,001 - 12,000	4	a/	18	151	65	431	101	73	718	256	138	538
	12,001 - 16,000	0	0	0	128	41	317	102	60	591	230	101	439
	16,001 - 20,000	0	0	0	115	22	192	61	25	409	176	47	267
	20,001 - 24,000	0	0	0	79	6	80	55	13	244	134	20	147
	24,001 - 28,000	0	0	0	7	a/	6	50	6	118	57	6	105
	28,001 and over	0	0	0	0	0	0	6	a/	28	6	a/	28
	Total	16	\$1	\$37	659	\$190	\$288	495	\$223	\$450	1,170	\$413	\$353
<b>All</b>													
	\$ 0 - \$ 4,000	202	\$7	\$33	95	\$15	\$153	79	\$14	\$183	376	\$36	\$95
	4,001 - 8,000	272	14	52	167	65	388	134	66	491	573	145	253
	8,001 - 12,000	37	a/	12	202	86	425	171	122	711	410	208	507
	12,001 - 16,000	0	0	0	165	52	317	195	117	600	360	169	471
	16,001 - 20,000	0	0	0	185	35	188	158	65	409	343	99	289
	20,001 - 24,000	0	0	0	143	10	71	154	36	232	297	46	155
	24,001 - 28,000	0	0	0	8	a/	6	139	15	109	147	15	103
	28,001 and over	0	0	0	0	0	0	29	1	24	29	1	24
	Total	511	\$21	\$42	965	\$262	\$272	1,059	\$435	\$411	2,535	\$719	\$284

\* Includes Married filing Separate status.

a/ Amount is less than \$500.

d/ Tax Law prohibits the disclosure of individual taxpayer information.

# Hamilton County

Filing Status	Earned Income	Number of Qualifying Children									Total		
		None			One			More than One			#	Credit (000's)	Avg. Credit
		#	Credit (000's)	Avg. Credit	#	Credit (000's)	Avg. Credit	#	Credit (000's)	Avg. Credit			
<b>Single</b>													
	\$ 0 - \$ 4,000	17	\$1	\$36	2	a/	\$155	1	a/	d/	20	\$1	\$58
	4,001 - 8,000	38	2	55	2	1	317	0	0	0	40	3	68
	8,001 - 12,000	1	a/	d/	1	a/	d/	1	1	d/	3	1	380
	12,001 - 16,000	0	0	0	2	1	374	1	1	d/	3	1	436
	16,001 - 20,000	0	0	0	0	0	0	0	0	0	0	0	0
	20,001 - 24,000	0	0	0	0	0	0	0	0	0	0	0	0
	24,001 - 28,000	0	0	0	1	a/	d/	0	0	0	1	a/	d/
	28,001 and over	0	0	0	0	0	0	0	0	0	0	0	0
	Total	56	\$3	\$48	8	\$2	\$267	3	\$2	\$501	67	\$6	\$95
<b>Married Filing Joint</b>													
	\$ 0 - \$ 4,000	3	a/	\$35	1	a/	d/	2	a/	\$224	6	\$1	\$109
	4,001 - 8,000	5	a/	42	2	1	398	5	2	485	12	3	286
	8,001 - 12,000	0	0	0	6	2	398	15	9	586	21	11	533
	12,001 - 16,000	0	0	0	9	3	327	13	7	552	22	10	460
	16,001 - 20,000	0	0	0	8	1	137	10	4	425	18	5	297
	20,001 - 24,000	0	0	0	4	a/	44	16	3	200	20	3	169
	24,001 - 28,000	0	0	0	0	0	0	18	2	92	18	2	92
	28,001 and over	0	0	0	0	0	0	5	a/	29	5	a/	29
	Total	8	a/	\$39	30	\$8	\$250	84	\$28	\$334	122	\$36	\$294
<b>Head of Household*</b>													
	\$ 0 - \$ 4,000	0	\$0	\$0	12	\$2	\$142	1	a/	d/	13	\$2	\$155
	4,001 - 8,000	2	a/	50	11	4	357	5	3	565	18	7	381
	8,001 - 12,000	0	0	0	16	6	397	14	10	717	30	16	547
	12,001 - 16,000	0	0	0	12	4	322	14	8	543	26	11	441
	16,001 - 20,000	0	0	0	7	1	207	7	3	426	14	4	317
	20,001 - 24,000	0	0	0	5	a/	92	10	3	253	15	3	199
	24,001 - 28,000	0	0	0	2	a/	11	8	1	87	10	1	72
	28,001 and over	0	0	0	0	0	0	0	0	0	0	0	0
	Total	2	a/	\$50	65	\$18	\$274	59	\$27	\$458	126	\$45	\$356
<b>All</b>													
	\$ 0 - \$ 4,000	20	\$1	\$36	15	\$2	\$141	4	\$1	\$245	39	\$4	\$98
	4,001 - 8,000	45	2	53	15	5	357	10	5	525	70	13	186
	8,001 - 12,000	1	a/	d/	23	9	399	30	20	652	54	29	532
	12,001 - 16,000	0	0	0	23	8	328	28	15	548	51	23	449
	16,001 - 20,000	0	0	0	15	3	170	17	7	425	32	10	306
	20,001 - 24,000	0	0	0	9	1	71	26	6	221	35	6	182
	24,001 - 28,000	0	0	0	3	a/	16	26	2	90	29	2	83
	28,001 and over	0	0	0	0	0	0	5	a/	29	5	a/	29
	Total	66	\$3	\$47	103	\$27	\$266	146	\$57	\$388	315	\$87	\$277

\* Includes Married filing Separate status.

a/ Amount is less than \$500.

d/ Tax Law prohibits the disclosure of individual taxpayer information.



# Herkimer County

Filing Status	Earned Income	Number of Qualifying Children									Total		
		None			One			More than One			#	Credit (000's)	Avg. Credit
		#	Credit (000's)	Avg. Credit	#	Credit (000's)	Avg. Credit	#	Credit (000's)	Avg. Credit			
<b>Single</b>													
	\$ 0 - \$ 4,000	216	\$7	\$34	57	\$10	\$171	30	\$5	\$181	303	\$22	\$74
	4,001 - 8,000	273	15	53	75	29	389	39	18	459	387	62	159
	8,001 - 12,000	14	a/	15	45	19	412	25	17	689	84	36	428
	12,001 - 16,000	0	0	0	18	7	367	14	9	648	32	16	490
	16,001 - 20,000	0	0	0	4	1	238	3	2	519	7	3	358
	20,001 - 24,000	0	0	0	3	a/	114	3	1	255	6	1	184
	24,001 - 28,000	0	0	0	0	0	0	0	0	0	0	0	0
	28,001 and over	0	0	0	0	0	0	0	0	0	0	0	0
	Total	503	\$22	\$44	202	\$65	\$324	114	\$52	\$456	819	\$139	\$170
<b>Married Filing Joint</b>													
	\$ 0 - \$ 4,000	34	\$1	\$32	31	\$5	\$159	35	\$6	\$165	100	\$12	\$118
	4,001 - 8,000	38	2	47	53	21	395	73	36	492	164	59	358
	8,001 - 12,000	13	a/	11	74	28	379	153	105	684	240	133	554
	12,001 - 16,000	0	0	0	92	28	310	161	97	601	253	125	495
	16,001 - 20,000	0	0	0	69	11	159	172	65	376	241	76	314
	20,001 - 24,000	0	0	0	64	4	55	186	41	222	250	45	179
	24,001 - 28,000	0	0	0	2	a/	5	182	18	99	184	18	98
	28,001 and over	0	0	0	0	0	0	30	1	25	30	1	25
	Total	85	\$3	\$35	385	\$97	\$252	992	\$368	\$371	1,462	\$468	\$320
<b>Head of Household*</b>													
	\$ 0 - \$ 4,000	4	a/	\$23	71	\$10	\$145	49	\$9	\$189	124	\$20	\$159
	4,001 - 8,000	13	1	54	152	61	401	82	40	484	247	101	410
	8,001 - 12,000	8	a/	13	180	79	438	177	126	709	365	205	560
	12,001 - 16,000	0	0	0	228	71	313	196	116	590	424	187	441
	16,001 - 20,000	0	0	0	175	35	198	166	67	402	341	101	297
	20,001 - 24,000	0	0	0	121	9	78	106	26	248	227	36	158
	24,001 - 28,000	0	0	0	10	a/	9	66	7	110	76	7	96
	28,001 and over	0	0	0	0	0	0	7	a/	22	7	a/	22
	Total	25	\$1	\$36	937	\$266	\$283	849	\$390	\$460	1,811	\$657	\$363
<b>All</b>													
	\$ 0 - \$ 4,000	254	\$8	\$33	159	\$25	\$157	114	\$20	\$180	527	\$54	\$102
	4,001 - 8,000	324	17	52	280	111	397	194	93	482	798	222	278
	8,001 - 12,000	35	a/	13	299	125	420	355	247	697	689	373	542
	12,001 - 16,000	0	0	0	338	106	315	371	221	597	709	328	462
	16,001 - 20,000	0	0	0	248	47	188	341	133	390	589	180	305
	20,001 - 24,000	0	0	0	188	13	71	295	68	232	483	82	169
	24,001 - 28,000	0	0	0	12	a/	8	248	25	102	260	25	97
	28,001 and over	0	0	0	0	0	0	37	1	25	37	1	25
	Total	613	\$26	\$42	1,524	\$428	\$281	1,955	\$810	\$414	4,092	\$1,264	\$309

\* Includes Married filing Separate status.  
a/ Amount is less than \$500.

# Jefferson County

Filing Status	Earned Income	Number of Qualifying Children									Total		
		None			One			More than One			#	Credit (000's)	Avg. Credit
		#	Credit (000's)	Avg. Credit	#	Credit (000's)	Avg. Credit	#	Credit (000's)	Avg. Credit			
<b>Single</b>													
	\$ 0 - \$ 4,000	344	\$12	\$34	51	\$7	\$147	35	\$7	\$192	430	\$26	\$60
	4,001 - 8,000	405	21	53	50	18	367	51	24	466	506	63	125
	8,001 - 12,000	29	a/	9	29	11	391	23	16	699	81	28	342
	12,001 - 16,000	0	0	0	17	6	347	12	8	628	29	13	463
	16,001 - 20,000	0	0	0	6	1	227	4	2	451	10	3	317
	20,001 - 24,000	0	0	0	3	a/	109	3	1	293	6	1	201
	24,001 - 28,000	0	0	0	3	a/	11	1	a/	d/	4	a/	42
	28,001 and over	0	0	0	0	0	0	0	0	0	0	0	0
	Total	778	\$33	\$43	159	\$45	\$282	129	\$57	\$441	1,066	\$135	\$126
<b>Married Filing Joint</b>													
	\$ 0 - \$ 4,000	61	\$2	\$30	52	\$8	\$155	54	\$9	\$163	167	\$19	\$112
	4,001 - 8,000	66	3	43	78	31	391	99	47	476	243	80	331
	8,001 - 12,000	25	a/	15	113	46	411	227	159	699	365	206	563
	12,001 - 16,000	0	0	0	112	37	332	231	139	601	343	176	513
	16,001 - 20,000	0	0	0	128	20	157	252	97	383	380	117	307
	20,001 - 24,000	0	0	0	117	7	63	247	56	227	364	64	175
	24,001 - 28,000	0	0	0	6	a/	29	261	23	89	267	23	87
	28,001 and over	0	0	0	0	0	0	45	1	17	45	1	17
	Total	152	\$5	\$34	606	\$150	\$247	1,416	\$530	\$374	2,174	\$685	\$315
<b>Head of Household*</b>													
	\$ 0 - \$ 4,000	10	a/	\$44	130	\$22	\$167	127	\$23	\$182	267	\$45	\$169
	4,001 - 8,000	25	1	47	297	118	398	206	101	489	528	220	417
	8,001 - 12,000	11	a/	17	365	157	430	283	200	706	659	357	542
	12,001 - 16,000	0	0	0	287	91	317	237	140	589	524	231	440
	16,001 - 20,000	0	0	0	235	43	182	199	81	407	434	124	285
	20,001 - 24,000	0	0	0	154	12	79	156	39	249	310	51	164
	24,001 - 28,000	0	0	0	18	a/	7	77	8	99	95	8	81
	28,001 and over	0	0	0	0	0	0	17	1	32	17	1	32
	Total	46	\$2	\$39	1,486	\$443	\$298	1,302	\$591	\$454	2,834	\$1,036	\$366
<b>All</b>													
	\$ 0 - \$ 4,000	415	\$14	\$33	233	\$37	\$160	216	\$39	\$179	864	\$90	\$104
	4,001 - 8,000	496	25	51	425	167	393	356	172	482	1277	364	285
	8,001 - 12,000	65	1	13	507	215	424	533	375	703	1105	590	534
	12,001 - 16,000	0	0	0	416	134	323	480	286	596	896	420	469
	16,001 - 20,000	0	0	0	369	64	174	455	179	394	824	244	296
	20,001 - 24,000	0	0	0	274	20	72	406	96	236	680	116	170
	24,001 - 28,000	0	0	0	27	a/	13	339	31	91	366	31	85
	28,001 and over	0	0	0	0	0	0	62	1	21	62	1	21
	Total	976	\$40	\$41	2,251	\$638	\$283	2,847	\$1,179	\$414	6,074	\$1,856	\$306

\* Includes Married filing Separate status.

a/ Amount is less than \$500.

d/ Tax Law prohibits the disclosure of individual taxpayer information.

# Lewis County

Filing Status	Earned Income	Number of Qualifying Children									Total		
		None			One			More than One			#	Credit (000's)	Avg. Credit
		#	Credit (000's)	Avg. Credit	#	Credit (000's)	Avg. Credit	#	Credit (000's)	Avg. Credit			
<b>Single</b>													
	\$ 0 - \$ 4,000	108	\$4	\$34	15	\$2	\$152	12	\$2	\$170	135	\$8	\$60
	4,001 - 8,000	114	6	52	17	7	384	15	7	458	146	19	133
	8,001 - 12,000	3	a/	6	5	2	434	6	4	696	14	6	455
	12,001 - 16,000	0	0	0	4	1	351	4	3	631	8	4	491
	16,001 - 20,000	0	0	0	3	1	232	2	1	492	5	2	336
	20,001 - 24,000	0	0	0	1	a/	d/	1	a/	d/	2	a/	93
	24,001 - 28,000	0	0	0	1	a/	d/	0	0	0	1	a/	d/
	28,001 and over	0	0	0	0	0	0	0	0	0	0	0	0
	Total	225	\$10	\$43	46	\$13	\$287	40	\$17	\$417	311	\$40	\$127
<b>Married Filing Joint</b>													
	\$ 0 - \$ 4,000	20	\$1	\$27	11	\$2	\$150	23	\$4	\$189	54	\$7	\$121
	4,001 - 8,000	32	2	49	21	8	368	36	17	463	89	26	292
	8,001 - 12,000	9	a/	12	31	13	421	78	53	676	118	66	558
	12,001 - 16,000	0	0	0	38	13	331	98	60	609	136	72	531
	16,001 - 20,000	0	0	0	42	7	160	91	33	360	133	39	297
	20,001 - 24,000	0	0	0	34	2	65	96	21	215	130	23	176
	24,001 - 28,000	0	0	0	1	a/	d/	84	8	95	85	8	94
	28,001 and over	0	0	0	0	0	0	13	a/	21	13	a/	21
	Total	61	\$2	\$36	178	\$44	\$247	519	\$195	\$376	758	\$241	\$318
<b>Head of Household*</b>													
	\$ 0 - \$ 4,000	6	a/	\$25	23	\$4	\$176	16	\$3	\$210	45	\$8	\$168
	4,001 - 8,000	3	a/	60	70	27	388	37	18	495	110	46	415
	8,001 - 12,000	1	a/	d/	62	26	415	53	37	705	116	63	544
	12,001 - 16,000	0	0	0	61	19	314	43	26	602	104	45	433
	16,001 - 20,000	0	0	0	52	9	180	33	13	380	85	22	258
	20,001 - 24,000	0	0	0	40	3	82	27	7	252	67	10	150
	24,001 - 28,000	0	0	0	5	a/	6	22	2	88	27	2	73
	28,001 and over	0	0	0	0	0	0	6	a/	20	6	a/	20
	Total	10	a/	\$33	313	\$89	\$284	237	\$106	\$449	560	\$195	\$349
<b>All</b>													
	\$ 0 - \$ 4,000	134	\$4	\$33	49	\$8	\$163	51	\$10	\$191	234	\$22	\$94
	4,001 - 8,000	149	8	52	108	41	384	88	42	475	345	91	264
	8,001 - 12,000	13	a/	10	98	41	418	137	94	688	248	135	546
	12,001 - 16,000	0	0	0	103	33	321	145	88	607	248	121	488
	16,001 - 20,000	0	0	0	97	17	173	126	46	367	223	63	283
	20,001 - 24,000	0	0	0	75	6	75	124	28	222	199	33	166
	24,001 - 28,000	0	0	0	7	a/	12	106	10	93	113	10	88
	28,001 and over	0	0	0	0	0	0	19	a/	21	19	a/	21
	Total	296	\$12	\$41	537	\$146	\$272	796	\$318	\$399	1,629	\$476	\$292

\* Includes Married filing Separate status.

a/ Amount is less than \$500.

d/ Tax Law prohibits the disclosure of individual taxpayer information.

# Livingston County

Filing Status	Earned Income	Number of Qualifying Children									Total		
		None			One			More than One			#	Credit (000's)	Avg. Credit
		#	Credit (000's)	Avg. Credit	#	Credit (000's)	Avg. Credit	#	Credit (000's)	Avg. Credit			
<b>Single</b>													
	\$ 0 - \$ 4,000	168	\$6	\$35	20	\$3	\$145	11	\$2	\$166	199	\$11	\$53
	4,001 - 8,000	230	12	52	24	9	385	10	5	510	264	26	100
	8,001 - 12,000	16	a/	13	17	7	421	16	11	677	49	18	371
	12,001 - 16,000	0	0	0	16	5	340	6	4	660	22	9	427
	16,001 - 20,000	0	0	0	8	2	217	3	1	457	11	3	283
	20,001 - 24,000	0	0	0	6	1	131	2	1	324	8	1	179
	24,001 - 28,000	0	0	0	0	0	0	3	1	175	3	1	175
	28,001 and over	0	0	0	0	0	0	0	0	0	0	0	0
	Total	414	\$18	\$44	91	\$27	\$300	51	\$24	\$476	556	\$70	\$125
<b>Married Filing Joint</b>													
	\$ 0 - \$ 4,000	18	a/	\$26	11	\$2	\$176	16	\$3	\$184	45	\$5	\$119
	4,001 - 8,000	25	1	55	37	14	391	41	20	481	103	36	345
	8,001 - 12,000	11	a/	18	47	19	396	57	39	679	115	57	500
	12,001 - 16,000	0	0	0	52	17	320	79	45	575	131	62	474
	16,001 - 20,000	0	0	0	49	8	163	105	39	370	154	47	304
	20,001 - 24,000	0	0	0	42	3	69	111	25	229	153	28	185
	24,001 - 28,000	0	0	0	1	a/	d/	118	11	95	119	11	95
	28,001 and over	0	0	0	0	0	0	26	a/	19	26	a/	19
	Total	54	\$2	\$38	239	\$63	\$262	553	\$183	\$330	846	\$247	\$292
<b>Head of Household*</b>													
	\$ 0 - \$ 4,000	6	a/	\$27	68	\$11	\$168	69	\$13	\$183	143	\$24	\$169
	4,001 - 8,000	6	a/	42	134	53	396	105	50	480	245	104	423
	8,001 - 12,000	3	a/	18	141	61	432	150	106	706	294	167	568
	12,001 - 16,000	0	0	0	157	49	314	129	77	599	286	127	442
	16,001 - 20,000	0	0	0	162	30	188	104	43	413	266	73	276
	20,001 - 24,000	0	0	0	124	9	72	87	22	251	211	31	146
	24,001 - 28,000	0	0	0	15	a/	7	60	6	108	75	7	88
	28,001 and over	0	0	0	0	0	0	17	a/	20	17	a/	20
	Total	15	a/	\$31	801	\$214	\$267	721	\$318	\$441	1,537	\$532	\$346
<b>All</b>													
	\$ 0 - \$ 4,000	192	\$6	\$34	99	\$16	\$164	96	\$17	\$181	387	\$40	\$104
	4,001 - 8,000	261	14	52	195	77	393	156	75	482	612	166	271
	8,001 - 12,000	30	a/	15	205	87	423	223	155	697	458	243	530
	12,001 - 16,000	0	0	0	225	71	317	214	127	592	439	198	451
	16,001 - 20,000	0	0	0	219	40	183	212	83	392	431	123	286
	20,001 - 24,000	0	0	0	172	13	74	200	48	240	372	61	163
	24,001 - 28,000	0	0	0	16	a/	11	181	18	101	197	18	93
	28,001 and over	0	0	0	0	0	0	43	1	19	43	1	19
	Total	483	\$21	\$43	1,131	\$304	\$269	1,325	\$525	\$396	2,939	\$849	\$289

\* Includes Married filing Separate status.

a/ Amount is less than \$500.

d/ Tax Law prohibits the disclosure of individual taxpayer information.

# Madison County

Filing Status	Earned Income	Number of Qualifying Children									Total		
		None			One			More than One			#	Credit (000's)	Avg. Credit
		#	Credit (000's)	Avg. Credit	#	Credit (000's)	Avg. Credit	#	Credit (000's)	Avg. Credit			
<b>Single</b>													
	\$ 0 - \$ 4,000	214	\$7	\$34	17	\$3	\$170	19	\$4	\$199	250	\$14	\$56
	4,001 - 8,000	282	14	51	53	20	376	31	15	493	366	49	135
	8,001 - 12,000	17	a/	9	33	14	417	32	22	698	82	36	442
	12,001 - 16,000	0	0	0	18	6	329	14	9	623	32	15	458
	16,001 - 20,000	0	0	0	14	3	233	3	1	429	17	5	267
	20,001 - 24,000	0	0	0	5	a/	74	3	1	270	8	1	147
	24,001 - 28,000	0	0	0	1	a/	d/	0	0	0	1	a/	d/
	28,001 and over	0	0	0	0	0	0	0	0	0	0	0	0
	Total	513	\$22	\$42	141	\$46	\$327	102	\$52	\$512	756	\$120	\$159
<b>Married Filing Joint</b>													
	\$ 0 - \$ 4,000	27	\$1	\$25	24	\$3	\$130	21	\$4	\$175	72	\$7	\$104
	4,001 - 8,000	37	2	46	40	16	408	56	27	484	133	45	339
	8,001 - 12,000	13	a/	12	57	23	408	107	73	679	177	96	543
	12,001 - 16,000	0	0	0	66	21	325	133	81	612	199	103	517
	16,001 - 20,000	0	0	0	63	10	157	158	62	392	221	72	325
	20,001 - 24,000	0	0	0	51	3	65	172	37	217	223	41	182
	24,001 - 28,000	0	0	0	4	a/	5	170	16	94	174	16	92
	28,001 and over	0	0	0	0	0	0	41	1	18	41	1	18
	Total	77	\$3	\$33	305	\$77	\$254	858	\$301	\$351	1,240	\$381	\$307
<b>Head of Household*</b>													
	\$ 0 - \$ 4,000	5	a/	\$35	60	\$10	\$160	42	\$7	\$173	107	\$17	\$160
	4,001 - 8,000	12	1	55	121	47	390	103	52	502	236	99	422
	8,001 - 12,000	6	a/	13	154	67	436	150	107	715	310	175	563
	12,001 - 16,000	0	0	0	210	67	319	153	92	604	363	159	439
	16,001 - 20,000	0	0	0	188	35	188	131	55	417	319	90	282
	20,001 - 24,000	0	0	0	162	12	76	131	32	244	293	44	151
	24,001 - 28,000	0	0	0	18	a/	7	81	9	113	99	9	93
	28,001 and over	0	0	0	0	0	0	15	a/	24	15	a/	24
	Total	23	\$1	\$40	913	\$239	\$262	806	\$355	\$440	1,742	\$594	\$341
<b>All</b>													
	\$ 0 - \$ 4,000	246	\$8	\$33	101	\$16	\$155	82	\$15	\$180	429	\$38	\$90
	4,001 - 8,000	331	17	50	214	83	390	190	94	495	735	194	264
	8,001 - 12,000	36	a/	11	244	104	427	289	202	700	569	307	539
	12,001 - 16,000	0	0	0	294	94	321	300	182	608	594	277	466
	16,001 - 20,000	0	0	0	265	49	183	292	118	403	557	166	299
	20,001 - 24,000	0	0	0	218	16	74	306	70	229	524	86	164
	24,001 - 28,000	0	0	0	23	a/	7	251	25	100	274	25	92
	28,001 and over	0	0	0	0	0	0	56	1	20	56	1	20
	Total	613	\$25	\$41	1,359	\$362	\$267	1,766	\$708	\$401	3,738	\$1,095	\$293

\* Includes Married filing Separate status.

a/ Amount is less than \$500.

d/ Tax Law prohibits the disclosure of individual taxpayer information.

# Monroe County

Filing Status	Earned Income	Number of Qualifying Children									Total		
		None			One			More than One			#	Credit (000's)	Avg. Credit
		#	Credit (000's)	Avg. Credit	#	Credit (000's)	Avg. Credit	#	Credit (000's)	Avg. Credit			
<b>Single</b>													
	\$ 0 - \$ 4,000	2,162	\$74	\$34	400	\$63	\$158	451	\$78	\$173	3,013	\$216	\$72
	4,001 - 8,000	2,988	160	54	503	191	380	390	179	458	3,881	530	137
	8,001 - 12,000	215	2	11	214	89	416	172	118	687	601	210	349
	12,001 - 16,000	0	0	0	158	54	343	71	44	625	229	99	431
	16,001 - 20,000	0	0	0	117	25	217	48	23	479	165	48	293
	20,001 - 24,000	0	0	0	81	8	104	29	9	306	110	17	157
	24,001 - 28,000	0	0	0	23	a/	14	16	2	152	39	3	71
	28,001 and over	0	0	0	0	0	0	8	a/	34	8	a/	34
	Total	5,365	\$237	\$44	1,496	\$432	\$289	1,185	\$454	\$383	8,046	\$1,122	\$139
<b>Married Filing Joint</b>													
	\$ 0 - \$ 4,000	133	\$4	\$31	107	\$15	\$138	187	\$32	\$173	427	\$51	\$120
	4,001 - 8,000	165	8	51	201	75	375	314	150	478	680	234	344
	8,001 - 12,000	71	1	14	233	96	413	377	263	696	681	360	528
	12,001 - 16,000	0	0	0	270	88	325	477	295	619	747	383	513
	16,001 - 20,000	0	0	0	340	57	167	661	266	402	1,001	323	322
	20,001 - 24,000	0	0	0	310	20	64	676	151	223	986	171	173
	24,001 - 28,000	0	0	0	17	a/	7	681	64	93	698	64	91
	28,001 and over	1	a/	d/	0	0	0	151	3	21	152	3	21
	Total	370	\$13	\$36	1,478	\$351	\$237	3,524	\$1,224	\$347	5,372	\$1,588	\$296
<b>Head of Household*</b>													
	\$ 0 - \$ 4,000	93	\$3	\$33	1,110	\$176	\$158	1,161	\$215	\$185	2,364	\$394	\$167
	4,001 - 8,000	122	6	51	1,814	709	391	1,796	868	483	3,732	1,583	424
	8,001 - 12,000	69	1	17	1,990	870	437	2,119	1,512	714	4,178	2,383	570
	12,001 - 16,000	0	0	0	2,148	691	322	2,052	1,256	612	4,200	1,947	464
	16,001 - 20,000	0	0	0	2,063	389	188	1,873	762	407	3,936	1,150	292
	20,001 - 24,000	0	0	0	1,605	122	76	1,510	385	255	3,115	507	163
	24,001 - 28,000	0	0	0	182	2	9	971	111	115	1,153	113	98
	28,001 and over	0	0	0	0	0	0	198	5	25	198	5	25
	Total	284	\$11	\$37	10,912	\$2,958	\$271	11,680	\$5,115	\$438	22,876	\$8,084	\$353
<b>All</b>													
	\$ 0 - \$ 4,000	2,388	\$81	\$34	1,617	\$254	\$157	1,799	\$326	\$181	5,804	\$661	\$114
	4,001 - 8,000	3,275	175	53	2,518	976	388	2,500	1,197	479	8,293	2,347	283
	8,001 - 12,000	355	4	13	2,437	1,055	433	2,668	1,893	710	5,460	2,953	541
	12,001 - 16,000	0	0	0	2,576	833	323	2,600	1,596	614	5,176	2,429	469
	16,001 - 20,000	0	0	0	2,520	471	187	2,582	1,050	407	5,102	1,521	298
	20,001 - 24,000	0	0	0	1,996	151	75	2,215	545	246	4,211	695	165
	24,001 - 28,000	0	0	0	222	2	10	1,668	177	106	1,890	180	95
	28,001 and over	1	a/	d/	0	0	0	357	8	24	358	8	24
	Total	6,019	\$261	\$43	13,886	\$3,741	\$269	16,389	\$6,792	\$414	36,294	\$10,794	\$297

\* Includes Married filing Separate status.

a/ Amount is less than \$500.

d/ Tax Law prohibits the disclosure of individual taxpayer information.

# Montgomery County

Filing Status	Earned Income	Number of Qualifying Children									Total		
		None			One			More than One			#	Credit (000's)	Avg. Credit
		#	Credit (000's)	Avg. Credit	#	Credit (000's)	Avg. Credit	#	Credit (000's)	Avg. Credit			
<b>Single</b>													
	\$ 0 - \$ 4,000	192	\$7	\$35	15	\$2	\$138	10	\$2	\$176	217	\$11	\$49
	4,001 - 8,000	235	12	53	24	9	388	6	2	409	265	24	91
	8,001 - 12,000	23	a/	11	12	5	417	11	8	708	46	13	284
	12,001 - 16,000	0	0	0	13	5	367	9	6	638	22	11	478
	16,001 - 20,000	0	0	0	9	2	193	2	1	407	11	3	232
	20,001 - 24,000	0	0	0	9	1	85	1	a/	d/	10	1	105
	24,001 - 28,000	0	0	0	2	a/	24	1	a/	d/	3	a/	44
	28,001 and over	0	0	0	0	0	0	0	0	0	0	0	0
	Total	450	\$19	\$43	84	\$24	\$282	40	\$19	\$474	574	\$62	\$108
<b>Married Filing Joint</b>													
	\$ 0 - \$ 4,000	23	\$1	\$29	15	\$2	\$113	26	\$5	\$199	64	\$8	\$118
	4,001 - 8,000	31	2	49	30	11	367	38	18	461	99	30	303
	8,001 - 12,000	10	a/	14	41	17	414	83	57	690	134	74	555
	12,001 - 16,000	0	0	0	49	16	324	106	61	578	155	77	498
	16,001 - 20,000	0	0	0	49	8	154	119	48	406	168	56	332
	20,001 - 24,000	0	0	0	49	3	69	137	30	216	186	33	177
	24,001 - 28,000	0	0	0	4	a/	3	126	12	98	130	12	95
	28,001 and over	0	0	0	0	0	0	29	1	22	29	1	22
	Total	64	\$2	\$36	237	\$57	\$238	664	\$232	\$349	965	\$291	\$301
<b>Head of Household*</b>													
	\$ 0 - \$ 4,000	5	a/	\$42	97	\$16	\$166	79	\$16	\$197	181	\$32	\$176
	4,001 - 8,000	12	1	54	188	75	400	142	67	475	342	143	419
	8,001 - 12,000	12	a/	12	195	84	430	162	118	727	369	202	547
	12,001 - 16,000	0	0	0	206	68	328	176	110	623	382	177	464
	16,001 - 20,000	0	0	0	184	34	186	141	59	415	325	93	286
	20,001 - 24,000	0	0	0	128	9	74	99	25	253	227	35	152
	24,001 - 28,000	0	0	0	9	a/	15	64	8	124	73	8	110
	28,001 and over	0	0	0	0	0	0	12	a/	16	12	a/	16
	Total	29	\$1	\$35	1,007	\$286	\$284	875	\$402	\$460	1,911	\$690	\$361
<b>All</b>													
	\$ 0 - \$ 4,000	220	\$8	\$35	127	\$20	\$156	115	\$23	\$196	462	\$50	\$108
	4,001 - 8,000	278	15	52	242	95	394	186	87	470	706	197	280
	8,001 - 12,000	45	1	12	248	106	427	256	183	714	549	289	527
	12,001 - 16,000	0	0	0	268	88	329	291	177	607	559	265	474
	16,001 - 20,000	0	0	0	242	44	180	262	108	411	504	151	300
	20,001 - 24,000	0	0	0	186	14	73	237	55	232	423	69	162
	24,001 - 28,000	0	0	0	15	a/	13	191	20	106	206	21	100
	28,001 and over	0	0	0	0	0	0	41	1	20	41	1	20
	Total	543	\$23	\$42	1,328	\$367	\$276	1,579	\$653	\$414	3,450	\$1,043	\$302

\* Includes Married filing Separate status.

a/ Amount is less than \$500.

d/ Tax Law prohibits the disclosure of individual taxpayer information.

# Nassau County

Filing Status	Earned Income	Number of Qualifying Children									Total		
		None			One			More than One					
		#	Credit (000's)	Avg. Credit	#	Credit (000's)	Avg. Credit	#	Credit (000's)	Avg. Credit	#	Credit (000's)	Avg. Credit
<b>Single</b>													
\$	0 - \$ 4,000	3,052	\$107	\$35	95	\$16	\$164	36	\$7	\$200	3,183	\$130	\$41
	4,001 - 8,000	4,724	253	54	175	69	396	44	21	468	4,943	343	69
	8,001 - 12,000	297	3	11	164	68	416	48	33	696	509	105	206
	12,001 - 16,000	0	0	0	124	43	348	33	21	629	157	64	407
	16,001 - 20,000	0	0	0	70	15	217	24	11	456	94	26	278
	20,001 - 24,000	0	0	0	51	5	98	16	5	295	67	10	145
	24,001 - 28,000	0	0	0	14	a/	24	6	1	127	20	1	54
	28,001 and over	0	0	0	0	0	0	2	a/	47	2	a/	47
	Total	8,073	\$363	\$45	693	\$217	\$313	209	\$98	\$471	8,975	\$678	\$76
<b>Married Filing Joint</b>													
\$	0 - \$ 4,000	221	\$7	\$34	156	\$24	\$153	166	\$31	\$187	543	\$62	\$115
	4,001 - 8,000	342	17	50	393	157	398	385	183	476	1,120	357	319
	8,001 - 12,000	138	2	15	566	239	422	1,026	717	698	1,730	957	553
	12,001 - 16,000	0	0	0	758	260	342	1,108	664	599	1,866	923	495
	16,001 - 20,000	0	0	0	827	142	171	1,317	519	394	2,144	661	308
	20,001 - 24,000	0	0	0	658	43	66	1,295	299	231	1,953	342	175
	24,001 - 28,000	0	0	0	28	a/	15	1,180	117	99	1,208	118	97
	28,001 and over	0	0	0	0	0	0	236	6	24	236	6	24
	Total	701	\$27	\$38	3,386	\$864	\$255	6,713	\$2,536	\$378	10,800	\$3,426	\$317
<b>Head of Household*</b>													
\$	0 - \$ 4,000	128	\$4	\$34	914	\$149	\$163	537	\$104	\$193	1,579	\$257	\$163
	4,001 - 8,000	261	13	49	2,611	1,059	406	1,131	558	493	4,003	1,630	407
	8,001 - 12,000	132	2	16	3,004	1,321	440	1,918	1,380	720	5,054	2,703	535
	12,001 - 16,000	0	0	0	2,940	949	323	1,693	1,026	606	4,633	1,975	426
	16,001 - 20,000	0	0	0	2,429	456	188	1,415	571	403	3,844	1,027	267
	20,001 - 24,000	0	0	0	2,055	152	74	1,329	333	251	3,384	485	143
	24,001 - 28,000	0	0	0	220	2	10	1,133	127	112	1,353	129	96
	28,001 and over	0	0	0	0	0	0	247	6	23	247	6	23
	Total	521	\$19	\$37	14,173	\$4,088	\$288	9,403	\$4,104	\$436	24,097	\$8,212	\$341
<b>All</b>													
\$	0 - \$ 4,000	3,401	\$119	\$35	1,165	\$189	\$162	739	\$142	\$192	5,305	\$449	\$85
	4,001 - 8,000	5,327	283	53	3,179	1,285	404	1,560	762	488	10,066	2,330	231
	8,001 - 12,000	567	7	13	3,734	1,628	436	2,992	2,130	712	7,293	3,765	516
	12,001 - 16,000	0	0	0	3,822	1,252	328	2,834	1,710	604	6,656	2,962	445
	16,001 - 20,000	0	0	0	3,326	612	184	2,756	1,101	400	6,082	1,713	282
	20,001 - 24,000	0	0	0	2,764	200	72	2,640	637	241	5,404	837	155
	24,001 - 28,000	0	0	0	262	3	11	2,319	245	106	2,581	248	96
	28,001 and over	0	0	0	0	0	0	485	12	24	485	12	24
	Total	9,295	\$409	\$44	18,252	\$5,169	\$283	16,325	\$6,738	\$413	43,872	\$12,316	\$281

\* Includes Married filing Separate status.  
a/ Amount is less than \$500.



# Niagara County

Filing Status	Earned Income	Number of Qualifying Children									Total		
		None			One			More than One			#	Credit (000's)	Avg. Credit
		#	Credit (000's)	Avg. Credit	#	Credit (000's)	Avg. Credit	#	Credit (000's)	Avg. Credit			
<b>Single</b>													
	\$ 0 - \$ 4,000	743	\$25	\$33	91	\$14	\$155	76	\$13	\$173	910	\$52	\$57
	4,001 - 8,000	960	51	53	96	36	378	49	23	466	1,105	110	100
	8,001 - 12,000	51	1	12	67	28	418	20	14	699	138	43	309
	12,001 - 16,000	0	0	0	34	11	332	21	14	649	55	25	453
	16,001 - 20,000	0	0	0	20	4	209	3	1	385	23	5	232
	20,001 - 24,000	0	0	0	20	2	83	4	1	242	24	3	109
	24,001 - 28,000	0	0	0	5	a/	17	1	a/	d/	6	a/	46
	28,001 and over	0	0	0	0	0	0	0	0	0	0	0	0
	Total	1,754	\$76	\$43	333	\$96	\$287	174	\$66	\$379	2,261	\$238	\$105
<b>Married Filing Joint</b>													
	\$ 0 - \$ 4,000	87	\$2	\$28	50	\$7	\$149	91	\$17	\$189	228	\$27	\$119
	4,001 - 8,000	89	4	49	106	40	379	163	79	483	358	123	344
	8,001 - 12,000	35	1	15	117	49	419	267	185	691	419	234	559
	12,001 - 16,000	0	0	0	169	55	328	291	169	582	460	225	489
	16,001 - 20,000	0	0	0	171	28	162	360	138	382	531	165	312
	20,001 - 24,000	0	0	0	162	10	61	409	90	219	571	99	174
	24,001 - 28,000	0	0	0	6	a/	6	354	34	96	360	34	94
	28,001 and over	0	0	0	0	0	0	89	2	20	89	2	20
	Total	211	\$7	\$35	781	\$190	\$243	2,024	\$713	\$352	3,016	\$910	\$302
<b>Head of Household*</b>													
	\$ 0 - \$ 4,000	41	\$1	\$35	403	\$63	\$156	328	\$57	\$175	772	\$121	\$157
	4,001 - 8,000	44	2	51	650	255	392	508	244	480	1,202	501	417
	8,001 - 12,000	28	a/	15	722	314	436	604	432	715	1,354	747	551
	12,001 - 16,000	0	0	0	711	227	319	506	300	593	1,217	526	433
	16,001 - 20,000	0	0	0	549	103	188	404	160	396	953	263	276
	20,001 - 24,000	0	0	0	415	32	76	311	80	257	726	112	154
	24,001 - 28,000	0	0	0	46	a/	8	215	23	108	261	24	90
	28,001 and over	0	0	0	0	0	0	39	1	21	39	1	21
	Total	113	\$4	\$36	3,496	\$994	\$284	2,915	\$1,297	\$445	6,524	\$2,295	\$352
<b>All</b>													
	\$ 0 - \$ 4,000	871	\$29	\$33	544	\$84	\$155	495	\$88	\$177	1,910	\$201	\$105
	4,001 - 8,000	1,093	57	53	852	331	389	720	345	480	2,665	734	275
	8,001 - 12,000	114	2	13	906	392	432	891	630	707	1,911	1,023	535
	12,001 - 16,000	0	0	0	914	293	321	818	483	590	1,732	776	448
	16,001 - 20,000	0	0	0	740	135	183	767	299	390	1,507	434	288
	20,001 - 24,000	0	0	0	597	43	72	724	171	236	1,321	214	162
	24,001 - 28,000	0	0	0	57	1	9	570	57	100	627	58	92
	28,001 and over	0	0	0	0	0	0	128	3	20	128	3	20
	Total	2,078	\$88	\$42	4,610	\$1,279	\$277	5,113	\$2,075	\$406	11,801	\$3,442	\$292

\* Includes Married filing Separate status.

a/ Amount is less than \$500.

d/ Tax Law prohibits the disclosure of individual taxpayer information.

# Oneida County

Filing Status	Earned Income	Number of Qualifying Children									Total		
		None			One			More than One			#	Credit (000's)	Avg. Credit
		#	Credit (000's)	Avg. Credit	#	Credit (000's)	Avg. Credit	#	Credit (000's)	Avg. Credit			
<b>Single</b>													
	\$ 0 - \$ 4,000	823	\$28	\$34	150	\$23	\$155	161	\$29	\$182	1,134	\$81	\$71
	4,001 - 8,000	1,034	55	53	237	91	385	181	87	479	1,452	232	160
	8,001 - 12,000	65	1	15	159	67	419	177	125	706	401	193	480
	12,001 - 16,000	0	0	0	90	31	349	76	48	636	166	80	480
	16,001 - 20,000	0	0	0	28	6	212	31	14	457	59	20	341
	20,001 - 24,000	0	0	0	28	3	104	14	4	304	42	7	171
	24,001 - 28,000	0	0	0	3	a/	20	6	1	130	9	1	94
	28,001 and over	0	0	0	0	0	0	2	a/	37	2	a/	37
	Total	1,922	\$84	\$44	695	\$221	\$319	648	\$308	\$476	3,265	\$614	\$188
<b>Married Filing Joint</b>													
	\$ 0 - \$ 4,000	89	\$3	\$31	76	\$12	\$154	123	\$23	\$189	288	\$38	\$131
	4,001 - 8,000	101	5	48	125	48	386	203	96	473	429	149	347
	8,001 - 12,000	42	1	17	158	65	410	358	249	695	558	314	563
	12,001 - 16,000	0	0	0	224	76	338	372	229	616	596	305	511
	16,001 - 20,000	0	0	0	223	36	160	468	183	392	691	219	317
	20,001 - 24,000	0	0	0	204	13	63	451	101	225	655	114	174
	24,001 - 28,000	0	0	0	15	a/	5	465	44	94	480	44	91
	28,001 and over	0	0	0	0	0	0	112	2	21	112	2	21
	Total	232	\$8	\$36	1,025	\$249	\$243	2,552	\$928	\$363	3,809	\$1,185	\$311
<b>Head of Household*</b>													
	\$ 0 - \$ 4,000	34	\$1	\$35	234	\$37	\$156	251	\$43	\$173	519	\$81	\$156
	4,001 - 8,000	33	2	48	418	166	398	346	170	490	797	338	423
	8,001 - 12,000	24	a/	14	582	253	435	517	370	717	1,123	624	556
	12,001 - 16,000	0	0	0	707	224	317	604	363	602	1,311	588	448
	16,001 - 20,000	0	0	0	670	127	189	510	210	412	1,180	337	286
	20,001 - 24,000	0	0	0	476	36	77	387	99	257	863	136	157
	24,001 - 28,000	0	0	0	62	1	11	247	29	116	309	29	95
	28,001 and over	0	0	0	0	0	0	46	1	18	46	1	18
	Total	91	\$3	\$34	3,149	\$845	\$268	2,908	\$1,285	\$442	6,148	\$2,133	\$347
<b>All</b>													
	\$ 0 - \$ 4,000	946	\$32	\$34	460	\$72	\$156	535	\$96	\$179	1,941	\$200	\$103
	4,001 - 8,000	1,168	61	52	780	306	392	730	352	482	2,678	719	268
	8,001 - 12,000	131	2	15	899	385	428	1,052	744	707	2,082	1,131	543
	12,001 - 16,000	0	0	0	1,021	331	325	1,052	641	609	2,073	972	469
	16,001 - 20,000	0	0	0	921	169	183	1,009	408	404	1,930	576	299
	20,001 - 24,000	0	0	0	708	52	74	852	205	240	1,560	257	165
	24,001 - 28,000	0	0	0	80	1	10	718	73	102	798	74	92
	28,001 and over	0	0	0	0	0	0	160	3	20	160	3	20
	Total	2,245	\$95	\$42	4,869	\$1,315	\$270	6,108	\$2,522	\$413	13,222	\$3,932	\$297

\* Includes Married filing Separate status.  
a/ Amount is less than \$500.

# Onondaga County

Filing Status	Earned Income	Number of Qualifying Children									Total		
		None			One			More than One			#	Credit (000's)	Avg. Credit
		#	Credit (000's)	Avg. Credit	#	Credit (000's)	Avg. Credit	#	Credit (000's)	Avg. Credit			
<b>Single</b>													
	\$ 0 - \$ 4,000	1,229	\$43	\$35	320	\$53	\$166	339	\$66	\$194	1,888	\$162	\$86
	4,001 - 8,000	1,793	95	53	364	139	382	300	138	461	2,457	373	152
	8,001 - 12,000	113	1	10	169	70	413	122	85	697	404	156	386
	12,001 - 16,000	0	0	0	94	33	346	39	25	644	133	58	433
	16,001 - 20,000	0	0	0	63	14	215	26	12	452	89	25	284
	20,001 - 24,000	0	0	0	45	5	102	17	5	289	62	9	153
	24,001 - 28,000	0	0	0	9	a/	14	5	1	135	14	1	57
	28,001 and over	0	0	0	0	0	0	0	0	0	0	0	0
	Total	3,135	\$139	\$44	1,064	\$313	\$294	848	\$331	\$391	5,047	\$784	\$155
<b>Married Filing Joint</b>													
	\$ 0 - \$ 4,000	88	\$3	\$29	86	\$12	\$139	117	\$21	\$181	291	\$36	\$122
	4,001 - 8,000	123	6	48	146	55	375	204	96	472	473	157	332
	8,001 - 12,000	51	1	18	184	79	427	396	277	699	631	356	565
	12,001 - 16,000	0	0	0	235	79	334	411	254	619	646	333	515
	16,001 - 20,000	0	0	0	254	43	170	488	191	392	742	234	316
	20,001 - 24,000	0	0	0	283	18	62	579	133	229	862	150	174
	24,001 - 28,000	0	0	0	11	a/	7	562	55	98	573	55	96
	28,001 and over	0	0	0	0	0	0	147	3	23	147	3	23
	Total	262	\$9	\$36	1,199	\$285	\$237	2,904	\$1,031	\$355	4,365	\$1,325	\$304
<b>Head of Household*</b>													
	\$ 0 - \$ 4,000	51	\$2	\$34	534	\$88	\$164	500	\$92	\$185	1,085	\$182	\$168
	4,001 - 8,000	61	3	51	993	391	394	811	398	491	1,865	792	425
	8,001 - 12,000	44	1	13	1,301	571	439	1,275	911	714	2,620	1,482	566
	12,001 - 16,000	0	0	0	1,330	426	320	1,248	766	614	2,578	1,192	462
	16,001 - 20,000	0	0	0	1,296	243	188	1,138	462	406	2,434	705	290
	20,001 - 24,000	0	0	0	1,015	76	75	879	225	255	1,894	301	159
	24,001 - 28,000	0	0	0	85	1	10	559	62	112	644	63	98
	28,001 and over	0	0	0	0	0	0	95	2	24	95	2	24
	Total	156	\$5	\$35	6,554	\$1,795	\$274	6,505	\$2,918	\$449	13,215	\$4,719	\$357
<b>All</b>													
	\$ 0 - \$ 4,000	1,368	\$47	\$35	940	\$153	\$163	956	\$179	\$187	3,264	\$379	\$116
	4,001 - 8,000	1,977	104	53	1,503	585	389	1,315	633	481	4,795	1,322	276
	8,001 - 12,000	208	3	13	1,654	719	435	1,793	1,273	710	3,655	1,995	546
	12,001 - 16,000	0	0	0	1,659	537	324	1,698	1,045	616	3,357	1,582	471
	16,001 - 20,000	0	0	0	1,613	300	186	1,652	665	402	3,265	964	295
	20,001 - 24,000	0	0	0	1,343	99	73	1,475	362	245	2,818	461	163
	24,001 - 28,000	0	0	0	105	1	10	1,126	118	105	1,231	119	97
	28,001 and over	0	0	0	0	0	0	242	6	23	242	6	23
	Total	3,553	\$154	\$43	8,817	\$2,393	\$271	10,257	\$4,280	\$417	22,627	\$6,828	\$302

\* Includes Married filing Separate status.  
a/ Amount is less than \$500.

# Ontario County

Filing Status	Earned Income	Number of Qualifying Children									Total		
		None			One			More than One			#	Credit (000's)	Avg. Credit
		#	Credit (000's)	Avg. Credit	#	Credit (000's)	Avg. Credit	#	Credit (000's)	Avg. Credit			
<b>Single</b>													
	\$ 0 - \$ 4,000	272	\$9	\$34	20	\$3	\$170	9	\$2	\$189	301	\$14	\$48
	4,001 - 8,000	403	21	53	35	13	385	11	4	389	449	39	87
	8,001 - 12,000	28	a/	13	15	6	427	11	8	687	54	14	265
	12,001 - 16,000	0	0	0	19	6	342	7	4	608	26	11	414
	16,001 - 20,000	0	0	0	14	3	231	7	3	416	21	6	293
	20,001 - 24,000	0	0	0	12	1	112	4	1	324	16	3	165
	24,001 - 28,000	0	0	0	1	a/	d/	3	a/	159	4	a/	120
	28,001 and over	0	0	0	0	0	0	0	0	0	0	0	0
	Total	703	\$31	\$44	116	\$34	\$296	52	\$22	\$432	871	\$88	\$101
<b>Married Filing Joint</b>													
	\$ 0 - \$ 4,000	16	a/	\$29	23	\$3	\$133	23	\$4	\$161	62	\$7	\$116
	4,001 - 8,000	32	2	53	41	15	363	59	29	492	132	46	346
	8,001 - 12,000	16	a/	11	35	15	438	112	75	671	163	91	556
	12,001 - 16,000	0	0	0	63	21	327	124	73	585	187	93	498
	16,001 - 20,000	0	0	0	77	13	163	130	52	400	207	65	312
	20,001 - 24,000	0	0	0	72	4	60	164	35	214	236	39	167
	24,001 - 28,000	0	0	0	3	a/	21	168	16	93	171	16	92
	28,001 and over	0	0	0	0	0	0	44	1	19	44	1	19
	Total	64	\$2	\$37	314	\$71	\$226	824	\$284	\$345	1,202	\$357	\$297
<b>Head of Household*</b>													
	\$ 0 - \$ 4,000	3	a/	\$33	101	\$17	\$165	103	\$20	\$193	207	\$37	\$177
	4,001 - 8,000	6	a/	63	202	81	402	145	70	482	353	151	429
	8,001 - 12,000	13	a/	18	229	100	435	225	160	712	467	260	557
	12,001 - 16,000	0	0	0	280	89	316	191	115	600	471	203	432
	16,001 - 20,000	0	0	0	266	49	185	184	74	402	450	123	274
	20,001 - 24,000	0	0	0	194	14	71	145	37	255	339	51	149
	24,001 - 28,000	0	0	0	23	a/	11	106	12	114	129	12	95
	28,001 and over	0	0	0	0	0	0	32	1	24	32	1	24
	Total	22	\$1	\$32	1,295	\$349	\$270	1,131	\$488	\$432	2,448	\$838	\$342
<b>All</b>													
	\$ 0 - \$ 4,000	291	\$10	\$34	144	\$23	\$161	135	\$25	\$187	570	\$58	\$102
	4,001 - 8,000	441	23	53	278	110	394	215	103	480	934	236	253
	8,001 - 12,000	57	1	14	279	121	435	348	243	698	684	365	534
	12,001 - 16,000	0	0	0	362	116	320	322	191	595	684	307	449
	16,001 - 20,000	0	0	0	357	65	182	321	129	402	678	194	286
	20,001 - 24,000	0	0	0	278	19	70	313	73	234	591	93	157
	24,001 - 28,000	0	0	0	27	a/	12	277	28	102	304	28	94
	28,001 and over	0	0	0	0	0	0	76	2	21	76	2	21
	Total	789	\$34	\$43	1,725	\$454	\$263	2,007	\$795	\$396	4,521	\$1,283	\$284

\* Includes Married filing Separate status.

a/ Amount is less than \$500.

d/ Tax Law prohibits the disclosure of individual taxpayer information.

# Orange County

Filing Status	Earned Income	Number of Qualifying Children									Total		
		None			One			More than One			#	Credit (000's)	Avg. Credit
		#	Credit (000's)	Avg. Credit	#	Credit (000's)	Avg. Credit	#	Credit (000's)	Avg. Credit			
<b>Single</b>													
\$	0 - \$ 4,000	770	\$27	\$35	123	\$22	\$175	124	\$23	\$186	1,017	\$71	\$70
	4,001 - 8,000	1,065	57	54	187	71	382	144	67	464	1,396	195	140
	8,001 - 12,000	79	1	9	130	55	423	78	55	701	287	110	385
	12,001 - 16,000	0	0	0	49	16	336	45	28	629	94	45	476
	16,001 - 20,000	0	0	0	41	9	218	24	10	435	65	19	298
	20,001 - 24,000	0	0	0	23	2	101	12	4	304	35	6	170
	24,001 - 28,000	0	0	0	8	a/	19	2	a/	142	10	a/	43
	28,001 and over	0	0	0	0	0	0	0	0	0	0	0	0
	Total	1,914	\$84	\$44	561	\$176	\$313	429	\$187	\$437	2,904	\$448	\$154
<b>Married Filing Joint</b>													
\$	0 - \$ 4,000	76	\$2	\$27	73	\$11	\$153	86	\$15	\$176	235	\$28	\$121
	4,001 - 8,000	105	5	47	206	82	399	228	117	513	539	204	379
	8,001 - 12,000	56	1	15	250	109	435	949	682	718	1,255	791	630
	12,001 - 16,000	0	0	0	176	60	343	432	271	627	608	331	545
	16,001 - 20,000	0	0	0	197	33	166	411	165	402	608	198	326
	20,001 - 24,000	0	0	0	185	12	62	428	101	237	613	113	184
	24,001 - 28,000	0	0	0	8	a/	13	404	38	94	412	38	92
	28,001 and over	0	0	0	0	0	0	76	2	23	76	2	23
	Total	237	\$8	\$33	1,095	\$307	\$280	3,014	\$1,391	\$462	4,346	\$1,706	\$392
<b>Head of Household*</b>													
\$	0 - \$ 4,000	28	\$1	\$34	278	\$43	\$155	221	\$42	\$189	527	\$86	\$163
	4,001 - 8,000	56	3	51	634	253	400	431	210	486	1,121	466	416
	8,001 - 12,000	35	1	15	733	321	437	757	548	723	1,525	869	570
	12,001 - 16,000	0	0	0	832	266	320	613	373	608	1,445	639	442
	16,001 - 20,000	0	0	0	733	137	186	617	250	406	1,350	387	287
	20,001 - 24,000	0	0	0	568	43	76	477	120	251	1,045	163	156
	24,001 - 28,000	0	0	0	86	1	9	367	41	113	453	42	93
	28,001 and over	0	0	0	0	0	0	61	2	25	61	2	25
	Total	119	\$4	\$36	3,864	\$1,063	\$275	3,544	\$1,585	\$447	7,527	\$2,652	\$352
<b>All</b>													
\$	0 - \$ 4,000	874	\$30	\$34	474	\$76	\$160	431	\$80	\$186	1,779	\$185	\$104
	4,001 - 8,000	1,226	65	53	1,027	407	396	803	393	490	3,056	865	283
	8,001 - 12,000	170	2	12	1,113	484	435	1,784	1,284	720	3,067	1,770	577
	12,001 - 16,000	0	0	0	1,057	343	324	1,090	672	616	2,147	1,015	473
	16,001 - 20,000	0	0	0	971	178	184	1,052	426	405	2,023	604	299
	20,001 - 24,000	0	0	0	776	57	73	917	225	245	1,693	282	166
	24,001 - 28,000	0	0	0	102	1	10	773	80	103	875	81	92
	28,001 and over	0	0	0	0	0	0	137	3	24	137	3	24
	Total	2,270	\$97	\$43	5,520	\$1,546	\$280	6,987	\$3,163	\$453	14,777	\$4,806	\$325

\* Includes Married filing Separate status.  
a/ Amount is less than \$500.

# Orleans County

Filing Status	Earned Income	Number of Qualifying Children									Total		
		None			One			More than One			#	Credit (000's)	Avg. Credit
		#	Credit (000's)	Avg. Credit	#	Credit (000's)	Avg. Credit	#	Credit (000's)	Avg. Credit			
<b>Single</b>													
	\$ 0 - \$ 4,000	139	\$4	\$32	17	\$3	\$151	14	\$3	\$207	170	\$10	\$58
	4,001 - 8,000	164	8	52	25	9	377	10	5	462	199	23	113
	8,001 - 12,000	6	a/	13	26	11	413	3	2	649	35	13	365
	12,001 - 16,000	0	0	0	12	4	351	7	4	608	19	8	446
	16,001 - 20,000	0	0	0	11	2	219	1	1	d/	12	3	245
	20,001 - 24,000	0	0	0	5	a/	87	1	a/	d/	6	1	129
	24,001 - 28,000	0	0	0	1	a/	d/	0	0	0	1	a/	d/
	28,000 and over	0	0	0	0	0	0	0	0	0	0	0	0
	Total	309	\$13	\$42	97	\$30	\$307	36	\$15	\$405	442	\$57	\$130
<b>Married Filing Joint</b>													
	\$ 0 - \$ 4,000	19	\$1	\$30	11	\$1	\$110	23	\$4	\$171	53	\$6	\$108
	4,001 - 8,000	21	1	52	33	12	351	31	15	476	85	27	323
	8,001 - 12,000	7	a/	19	35	13	372	64	44	683	106	57	536
	12,001 - 16,000	0	0	0	42	14	327	66	41	625	108	55	509
	16,001 - 20,000	0	0	0	45	8	177	84	34	404	129	42	325
	20,001 - 24,000	0	0	0	44	3	60	125	28	223	169	30	180
	24,001 - 28,000	0	0	0	3	a/	5	118	11	95	121	11	93
	28,001 and over	0	0	0	0	0	0	12	a/	21	12	a/	21
	Total	47	\$2	\$38	213	\$50	\$236	523	\$177	\$338	783	\$229	\$292
<b>Head of Household*</b>													
	\$ 0 - \$ 4,000	4	a/	\$29	47	\$7	\$158	49	\$8	\$170	100	\$16	\$159
	4,001 - 8,000	4	a/	57	106	41	391	82	38	466	192	80	416
	8,001 - 12,000	3	a/	21	129	56	433	135	97	722	267	153	574
	12,001 - 16,000	0	0	0	163	50	310	110	64	585	273	115	420
	16,001 - 20,000	0	0	0	129	25	191	99	41	413	228	66	287
	20,001 - 24,000	0	0	0	103	8	76	91	23	254	194	31	160
	24,001 - 28,000	0	0	0	12	a/	8	46	6	122	58	6	98
	28,001 and over	0	0	0	0	0	0	10	a/	27	10	a/	27
	Total	11	a/	\$37	689	\$188	\$272	622	\$278	\$447	1,322	\$466	\$353
<b>All</b>													
	\$ 0 - \$ 4,000	162	\$5	\$32	75	\$11	\$150	86	\$15	\$176	323	\$32	\$98
	4,001 - 8,000	189	10	52	164	62	381	123	58	468	476	130	273
	8,001 - 12,000	16	a/	17	190	80	419	202	143	709	408	223	546
	12,001 - 16,000	0	0	0	217	68	315	183	110	600	400	178	446
	16,001 - 20,000	0	0	0	185	35	189	184	75	410	369	110	299
	20,001 - 24,000	0	0	0	152	11	72	217	51	236	369	62	169
	24,001 - 28,000	0	0	0	16	a/	8	164	17	102	180	17	94
	28,001 and over	0	0	0	0	0	0	22	1	24	22	1	24
	Total	367	\$15	\$42	999	\$268	\$268	1,181	\$470	\$398	2,547	\$753	\$295

\* Includes Married filing Separate status.

a/ Amount is less than \$500.

d/ Tax Law prohibits the disclosure of individual taxpayer information.

# Oswego County

Filing Status	Earned Income	Number of Qualifying Children									Total		
		None			One			More than One			#	Credit (000's)	Avg. Credit
		#	Credit (000's)	Avg. Credit	#	Credit (000's)	Avg. Credit	#	Credit (000's)	Avg. Credit			
<b>Single</b>													
	\$ 0 - \$ 4,000	381	\$13	\$33	37	\$6	\$152	30	\$5	\$167	448	\$23	\$52
	4,001 - 8,000	507	27	53	53	21	390	27	12	429	587	59	101
	8,001 - 12,000	27	a/	12	45	19	418	14	9	674	86	29	332
	12,001 - 16,000	0	0	0	31	11	342	10	6	650	41	17	417
	16,001 - 20,000	0	0	0	16	3	182	5	2	499	21	5	257
	20,001 - 24,000	0	0	0	11	1	85	4	1	339	15	2	153
	24,001 - 28,000	0	0	0	1	a/	d/	1	a/	d/	2	a/	74
	28,001 and over	0	0	0	0	0	0	0	0	0	0	0	0
	Total	915	\$40	\$44	194	\$60	\$307	91	\$37	\$401	1,200	\$136	\$113
<b>Married Filing Joint</b>													
	\$ 0 - \$ 4,000	59	\$2	\$32	40	\$5	\$133	104	\$19	\$183	203	\$26	\$129
	4,001 - 8,000	65	3	48	100	39	391	149	72	480	314	114	362
	8,001 - 12,000	20	a/	16	107	46	428	218	154	705	345	200	579
	12,001 - 16,000	0	0	0	117	39	337	248	156	630	365	196	536
	16,001 - 20,000	0	0	0	128	20	154	272	104	384	400	124	310
	20,001 - 24,000	0	0	0	132	9	68	274	61	222	406	70	172
	24,001 - 28,000	0	0	0	8	a/	8	308	29	95	316	29	93
	28,001 and over	0	0	0	0	0	0	59	1	23	59	1	23
	Total	144	\$5	\$37	632	\$158	\$251	1,632	\$596	\$365	2,408	\$760	\$316
<b>Head of Household*</b>													
	\$ 0 - \$ 4,000	12	a/	\$29	181	\$29	\$160	186	\$34	\$180	379	\$63	\$166
	4,001 - 8,000	17	1	49	358	140	390	275	135	490	650	275	424
	8,001 - 12,000	5	a/	14	415	180	434	391	282	721	811	462	570
	12,001 - 16,000	0	0	0	347	109	314	323	193	598	670	302	451
	16,001 - 20,000	0	0	0	322	59	184	275	111	405	597	171	286
	20,001 - 24,000	0	0	0	247	19	77	200	51	254	447	70	156
	24,001 - 28,000	0	0	0	17	a/	8	157	17	109	174	17	99
	28,001 and over	0	0	0	0	0	0	25	1	23	25	1	23
	Total	34	\$1	\$37	1,887	\$536	\$284	1,832	\$823	\$449	3,753	\$1,360	\$362
<b>All</b>													
	\$ 0 - \$ 4,000	452	\$15	\$33	258	\$40	\$155	320	\$58	\$180	1,030	\$112	\$109
	4,001 - 8,000	589	31	52	511	199	390	451	218	483	1,551	448	289
	8,001 - 12,000	52	1	14	567	245	432	623	445	714	1,242	691	556
	12,001 - 16,000	0	0	0	495	159	321	581	356	613	1,076	515	478
	16,001 - 20,000	0	0	0	466	82	176	552	218	395	1,018	300	295
	20,001 - 24,000	0	0	0	390	29	74	478	113	236	868	142	163
	24,001 - 28,000	0	0	0	26	a/	8	466	47	100	492	47	95
	28,001 and over	0	0	0	0	0	0	84	2	23	84	2	23
	Total	1,093	\$47	\$43	2,713	\$754	\$278	3,555	\$1,456	\$410	7,361	\$2,256	\$307

\* Includes Married filing Separate status.

a/ Amount is less than \$500.

d/ Tax Law prohibits the disclosure of individual taxpayer information.

# Otsego County

Filing Status	Earned Income	Number of Qualifying Children									Total		
		None			One			More than One			#	Credit (000's)	Avg. Credit
		#	Credit (000's)	Avg. Credit	#	Credit (000's)	Avg. Credit	#	Credit (000's)	Avg. Credit			
<b>Single</b>													
	\$ 0 - \$ 4,000	227	\$8	\$34	22	\$4	\$160	22	\$5	\$231	271	\$16	\$60
	4,001 - 8,000	247	13	53	42	16	393	21	10	484	310	40	128
	8,001 - 12,000	19	a/	15	22	9	416	22	15	668	63	24	383
	12,001 - 16,000	0	0	0	20	7	339	7	4	546	27	11	393
	16,001 - 20,000	0	0	0	2	a/	221	1	a/	d/	3	a/	156
	20,001 - 24,000	0	0	0	0	0	0	1	a/	d/	1	a/	d/
	24,001 - 28,000	0	0	0	1	a/	d/	2	a/	119	3	a/	84
	28,001 and over	0	0	0	0	0	0	0	0	0	0	0	0
	Total	493	\$21	\$43	109	\$36	\$334	76	\$34	\$452	678	\$92	\$136
<b>Married Filing Joint</b>													
	\$ 0 - \$ 4,000	27	\$1	\$37	20	\$3	\$161	33	\$6	\$184	80	\$10	\$128
	4,001 - 8,000	42	2	45	35	14	396	53	25	474	130	41	315
	8,001 - 12,000	14	a/	13	66	28	418	105	74	708	185	102	552
	12,001 - 16,000	0	0	0	65	21	323	152	91	598	217	112	516
	16,001 - 20,000	0	0	0	80	14	175	170	63	370	250	77	308
	20,001 - 24,000	0	0	0	56	4	64	162	38	235	218	42	191
	24,001 - 28,000	0	0	0	1	a/	d/	160	16	97	161	16	97
	28,001 and over	0	0	0	0	0	0	22	a/	21	22	a/	21
	Total	83	\$3	\$37	323	\$83	\$258	857	\$313	\$366	1,263	\$400	\$317
<b>Head of Household*</b>													
	\$ 0 - \$ 4,000	7	a/	\$47	62	\$10	\$169	36	\$7	\$206	105	\$18	\$174
	4,001 - 8,000	10	1	58	111	42	377	76	38	495	197	80	406
	8,001 - 12,000	4	a/	15	179	77	431	148	106	713	331	183	552
	12,001 - 16,000	0	0	0	223	71	318	150	89	595	373	160	430
	16,001 - 20,000	0	0	0	180	33	185	126	51	407	306	85	277
	20,001 - 24,000	0	0	0	107	8	77	92	24	266	199	33	164
	24,001 - 28,000	0	0	0	14	a/	6	72	8	109	86	8	93
	28,001 and over	0	0	0	0	0	0	10	a/	21	10	a/	21
	Total	21	\$1	\$46	876	\$242	\$276	710	\$324	\$456	1,607	\$567	\$353
<b>All</b>													
	\$ 0 - \$ 4,000	261	\$9	\$35	104	\$17	\$165	91	\$19	\$204	456	\$45	\$98
	4,001 - 8,000	299	16	52	188	72	384	150	73	486	637	161	252
	8,001 - 12,000	37	1	14	267	114	427	275	195	707	579	309	534
	12,001 - 16,000	0	0	0	308	99	321	309	184	595	617	283	458
	16,001 - 20,000	0	0	0	262	48	183	297	114	384	559	162	290
	20,001 - 24,000	0	0	0	163	12	73	255	63	247	418	75	179
	24,001 - 28,000	0	0	0	16	a/	7	234	24	101	250	24	95
	28,001 and over	0	0	0	0	0	0	32	1	21	32	1	21
	Total	597	\$25	\$42	1,308	\$362	\$277	1,643	\$671	\$409	3,548	\$1,058	\$298

\* Includes Married filing Separate status.

a/ Amount is less than \$500.

d/ Tax Law prohibits the disclosure of individual taxpayer information.



# Putnam County

Filing Status	Earned Income	Number of Qualifying Children									Total		
		None			One			More than One			#	Credit (000's)	Avg. Credit
		#	Credit (000's)	Avg. Credit	#	Credit (000's)	Avg. Credit	#	Credit (000's)	Avg. Credit			
<b>Single</b>													
	\$ 0 - \$ 4,000	163	\$6	\$35	5	\$1	\$131	2	a/	\$128	170	\$7	\$39
	4,001 - 8,000	245	13	54	7	3	371	2	1	448	254	17	66
	8,001 - 12,000	13	a/	11	7	3	358	2	1	721	22	4	186
	12,001 - 16,000	0	0	0	2	1	378	5	3	573	7	4	517
	16,001 - 20,000	0	0	0	4	1	219	1	a/	d/	5	1	271
	20,001 - 24,000	0	0	0	2	a/	98	0	0	0	2	a/	98
	24,001 - 28,000	0	0	0	0	0	0	2	a/	162	2	a/	162
	28,001 and over	0	0	0	0	0	0	1	a/	d/	1	a/	d/
	Total	421	\$19	\$45	27	\$8	\$281	15	\$6	\$421	463	\$33	\$71
<b>Married Filing Joint</b>													
	\$ 0 - \$ 4,000	8	a/	\$18	9	\$1	\$149	14	\$2	\$146	31	\$4	\$114
	4,001 - 8,000	20	1	54	20	8	378	30	12	412	70	21	300
	8,001 - 12,000	9	a/	13	22	9	426	39	28	710	70	37	531
	12,001 - 16,000	0	0	0	41	13	325	61	37	607	102	50	494
	16,001 - 20,000	0	0	0	25	4	162	75	30	395	100	34	337
	20,001 - 24,000	0	0	0	40	3	78	80	18	230	120	22	179
	24,001 - 28,000	0	0	0	3	a/	24	83	7	83	86	7	81
	28,001 and over	0	0	0	0	0	0	19	a/	23	19	a/	23
	Total	37	\$1	\$36	160	\$39	\$243	401	\$134	\$335	598	\$175	\$292
<b>Head of Household*</b>													
	\$ 0 - \$ 4,000	5	a/	\$24	39	\$7	\$174	27	\$5	\$180	71	\$12	\$166
	4,001 - 8,000	8	a/	36	84	33	391	34	16	465	126	49	388
	8,001 - 12,000	3	a/	11	87	38	438	79	54	684	169	92	545
	12,001 - 16,000	0	0	0	70	23	325	44	25	566	114	48	418
	16,001 - 20,000	0	0	0	82	15	182	39	16	400	121	31	252
	20,001 - 24,000	0	0	0	86	7	78	56	14	244	142	20	143
	24,001 - 28,000	0	0	0	5	a/	18	43	5	107	48	5	98
	28,001 and over	0	0	0	0	0	0	14	a/	22	14	a/	22
	Total	16	a/	\$28	453	\$122	\$270	336	\$134	\$398	805	\$256	\$318
<b>All</b>													
	\$ 0 - \$ 4,000	176	\$6	\$34	53	\$9	\$166	43	\$7	\$166	272	\$22	\$81
	4,001 - 8,000	273	15	53	111	43	387	66	29	441	450	87	193
	8,001 - 12,000	25	a/	12	116	50	431	120	83	693	261	133	511
	12,001 - 16,000	0	0	0	113	37	326	110	65	589	223	102	456
	16,001 - 20,000	0	0	0	111	20	179	115	46	397	226	66	290
	20,001 - 24,000	0	0	0	128	10	78	136	32	236	264	42	159
	24,001 - 28,000	0	0	0	8	a/	20	128	12	92	136	12	88
	28,001 and over	0	0	0	0	0	0	34	1	23	34	1	23
	Total	474	\$21	\$44	640	\$169	\$263	752	\$274	\$365	1,866	\$464	\$249

\* Includes Married filing Separate status.

a/ Amount is less than \$500.

d/ Tax Law prohibits the disclosure of individual taxpayer information.

# Rensselaer County

Filing Status	Earned Income	Number of Qualifying Children									Total		
		None			One			More than One			#	Credit (000's)	Avg. Credit
		#	Credit (000's)	Avg. Credit	#	Credit (000's)	Avg. Credit	#	Credit (000's)	Avg. Credit			
<b>Single</b>													
	\$ 0 - \$ 4,000	493	\$16	\$33	108	\$17	\$158	84	\$16	\$188	685	\$49	\$72
	4,001 - 8,000	598	32	54	89	33	373	53	23	432	740	88	119
	8,001 - 12,000	39	a/	11	57	24	414	23	16	716	119	41	341
	12,001 - 16,000	0	0	0	27	9	342	8	5	640	35	14	410
	16,001 - 20,000	0	0	0	19	4	233	10	5	465	29	9	313
	20,001 - 24,000	0	0	0	22	2	88	6	2	284	28	4	130
	24,001 - 28,000	0	0	0	1	a/	d/	4	1	126	5	1	105
	28,001 and over	0	0	0	0	0	0	1	a/	d/	1	a/	d/
	Total	1,130	\$49	\$43	323	\$89	\$277	189	\$67	\$355	1,642	\$206	\$125
<b>Married Filing Joint</b>													
	\$ 0 - \$ 4,000	43	\$1	\$26	31	\$4	\$125	60	\$11	\$189	134	\$16	\$122
	4,001 - 8,000	50	3	51	62	23	373	77	36	470	189	62	327
	8,001 - 12,000	17	a/	17	57	25	431	137	98	712	211	122	580
	12,001 - 16,000	0	0	0	97	30	312	174	103	595	271	134	494
	16,001 - 20,000	0	0	0	106	18	173	220	87	396	326	105	323
	20,001 - 24,000	0	0	0	126	7	55	228	53	231	354	59	168
	24,001 - 28,000	0	0	0	4	a/	13	246	23	94	250	23	93
	28,001 and over	0	0	0	0	0	0	49	1	19	49	1	19
	Total	110	\$4	\$36	483	\$107	\$222	1,191	\$412	\$346	1,784	\$523	\$293
<b>Head of Household*</b>													
	\$ 0 - \$ 4,000	12	a/	\$35	174	\$28	\$159	142	\$28	\$195	328	\$56	\$170
	4,001 - 8,000	16	1	56	319	126	395	273	132	485	608	259	427
	8,001 - 12,000	15	a/	16	424	186	439	335	241	720	774	427	552
	12,001 - 16,000	0	0	0	394	126	320	343	210	612	737	336	456
	16,001 - 20,000	0	0	0	457	86	188	308	125	406	765	211	276
	20,001 - 24,000	0	0	0	410	30	73	285	71	249	695	101	145
	24,001 - 28,000	0	0	0	32	a/	11	167	19	112	199	19	96
	28,001 and over	0	0	0	0	0	0	32	1	22	32	1	22
	Total	43	\$2	\$36	2,210	\$582	\$263	1,885	\$827	\$439	4,138	\$1,411	\$341
<b>All</b>													
	\$ 0 - \$ 4,000	548	\$18	\$33	313	\$49	\$155	286	\$55	\$192	1,147	\$121	\$106
	4,001 - 8,000	664	36	54	470	182	388	403	192	475	1,537	409	266
	8,001 - 12,000	71	1	13	538	234	435	495	355	718	1,104	590	535
	12,001 - 16,000	0	0	0	518	166	320	525	319	607	1,043	484	464
	16,001 - 20,000	0	0	0	582	109	187	538	217	403	1,120	326	291
	20,001 - 24,000	0	0	0	558	39	69	519	125	241	1,077	164	152
	24,001 - 28,000	0	0	0	37	a/	11	417	43	102	454	43	95
	28,001 and over	0	0	0	0	0	0	82	2	20	82	2	20
	Total	1,283	\$55	\$43	3,016	\$779	\$258	3,265	\$1,307	\$400	7,564	\$2,140	\$283

\* Includes Married filing Separate status.

a/ Amount is less than \$500.

d/ Tax Law prohibits the disclosure of individual taxpayer information.

# Rockland County

Filing Status	Earned Income	Number of Qualifying Children									Total		
		None			One			More than One			#	Credit (000's)	Avg. Credit
		#	Credit (000's)	Avg. Credit	#	Credit (000's)	Avg. Credit	#	Credit (000's)	Avg. Credit			
<b>Single</b>													
	\$ 0 - \$ 4,000	663	\$23	\$35	22	\$4	\$167	9	\$2	\$198	694	\$29	\$41
	4,001 - 8,000	1,030	56	54	25	10	399	15	8	504	1,070	73	69
	8,001 - 12,000	76	1	10	30	12	406	11	8	703	117	21	177
	12,001 - 16,000	0	0	0	20	7	325	1	1	d/	21	7	338
	16,001 - 20,000	0	0	0	21	5	228	8	4	485	29	9	299
	20,001 - 24,000	0	0	0	11	1	87	2	1	274	13	2	116
	24,001 - 28,000	0	0	0	4	a/	22	2	a/	163	6	a/	69
	28,001 and over	0	0	0	0	0	0	3	a/	49	3	a/	49
	Total	1,769	\$80	\$45	133	\$38	\$287	51	\$23	\$442	1,953	\$141	\$72
<b>Married Filing Joint</b>													
	\$ 0 - \$ 4,000	60	\$2	\$35	36	\$7	\$192	51	\$9	\$172	147	\$18	\$121
	4,001 - 8,000	79	4	49	178	72	404	416	221	530	673	296	440
	8,001 - 12,000	37	1	15	199	87	439	933	656	703	1,169	744	636
	12,001 - 16,000	0	0	0	149	50	339	422	260	616	571	310	543
	16,001 - 20,000	0	0	0	128	22	175	301	125	417	429	148	344
	20,001 - 24,000	0	0	0	125	7	58	223	53	237	348	60	172
	24,001 - 28,000	0	0	0	7	a/	13	234	24	102	241	24	99
	28,001 and over	0	0	0	0	0	0	40	1	22	40	1	22
	Total	176	\$7	\$37	822	\$246	\$299	2,620	\$1,348	\$514	3,618	\$1,601	\$442
<b>Head of Household*</b>													
	\$ 0 - \$ 4,000	26	\$1	\$35	189	\$33	\$173	136	\$27	\$195	351	\$60	\$171
	4,001 - 8,000	38	2	53	408	163	399	217	104	481	663	269	406
	8,001 - 12,000	26	a/	15	512	224	438	376	270	718	914	495	541
	12,001 - 16,000	0	0	0	518	164	316	383	235	613	901	399	443
	16,001 - 20,000	0	0	0	476	89	187	355	144	404	831	233	280
	20,001 - 24,000	0	0	0	451	33	74	282	69	246	733	102	140
	24,001 - 28,000	0	0	0	47	a/	10	219	25	112	266	25	94
	28,001 and over	0	0	0	0	0	0	54	1	27	54	1	27
	Total	90	\$3	\$37	2,601	\$706	\$272	2,022	\$875	\$433	4,713	\$1,584	\$336
<b>All</b>													
	\$ 0 - \$ 4,000	749	\$26	\$35	247	\$43	\$175	196	\$37	\$189	1,192	\$106	\$89
	4,001 - 8,000	1,147	62	54	611	245	400	648	332	513	2,406	639	266
	8,001 - 12,000	139	2	12	741	324	437	1,320	933	707	2,200	1,259	572
	12,001 - 16,000	0	0	0	687	221	321	806	495	615	1,493	716	480
	16,001 - 20,000	0	0	0	625	116	186	664	273	411	1,289	389	302
	20,001 - 24,000	0	0	0	587	41	71	507	123	242	1,094	164	150
	24,001 - 28,000	0	0	0	58	1	11	455	49	107	513	49	96
	28,001 and over	0	0	0	0	0	0	97	3	26	97	3	26
	Total	2,035	\$90	\$44	3,556	\$991	\$279	4,693	\$2,245	\$478	10,284	\$3,325	\$323

\* Includes Married filing Separate status.

a/ Amount is less than \$500.

d/ Tax Law prohibits the disclosure of individual taxpayer information.

# St. Lawrence County

Filing Status	Earned Income	Number of Qualifying Children									Total		
		None			One			More than One			#	Credit (000's)	Avg. Credit
		#	Credit (000's)	Avg. Credit	#	Credit (000's)	Avg. Credit	#	Credit (000's)	Avg. Credit			
<b>Single</b>													
	\$ 0 - \$ 4,000	451	\$15	\$33	67	\$10	\$151	39	\$7	\$185	557	\$32	\$58
	4,001 - 8,000	490	25	51	73	28	387	38	18	477	601	71	119
	8,001 - 12,000	31	a/	10	45	19	424	18	12	654	94	31	331
	12,001 - 16,000	0	0	0	18	6	323	8	5	580	26	10	402
	16,001 - 20,000	0	0	0	14	3	228	6	3	469	20	6	300
	20,001 - 24,000	0	0	0	8	1	134	3	1	298	11	2	179
	24,001 - 28,000	0	0	0	3	a/	32	1	a/	d/	4	a/	45
	28,001 and over	0	0	0	0	0	0	0	0	0	0	0	0
	Total	972	\$40	\$42	228	\$68	\$296	113	\$46	\$403	1,313	\$154	\$117
<b>Married Filing Joint</b>													
	\$ 0 - \$ 4,000	67	\$2	\$30	54	\$7	\$136	66	\$12	\$175	187	\$21	\$112
	4,001 - 8,000	78	4	50	91	35	385	155	76	489	324	115	354
	8,001 - 12,000	21	a/	13	134	56	419	289	200	691	444	256	577
	12,001 - 16,000	0	0	0	136	44	323	316	182	577	452	226	500
	16,001 - 20,000	0	0	0	130	20	155	277	105	381	407	126	309
	20,001 - 24,000	0	0	0	129	8	62	281	61	219	410	69	169
	24,001 - 28,000	0	0	0	6	a/	4	280	26	92	286	26	90
	28,001 and over	0	0	0	0	0	0	50	1	21	50	1	21
	Total	166	\$6	\$37	680	\$171	\$251	1,714	\$663	\$387	2,560	\$840	\$328
<b>Head of Household*</b>													
	\$ 0 - \$ 4,000	13	a/	\$24	141	\$22	\$153	96	\$15	\$161	250	\$37	\$149
	4,001 - 8,000	21	1	51	278	110	397	200	97	483	499	208	417
	8,001 - 12,000	4	a/	13	353	152	430	309	221	715	666	373	560
	12,001 - 16,000	0	0	0	351	112	319	277	168	606	628	280	445
	16,001 - 20,000	0	0	0	251	46	182	167	67	401	418	113	270
	20,001 - 24,000	0	0	0	156	12	74	135	34	249	291	45	155
	24,001 - 28,000	0	0	0	21	a/	7	75	8	104	96	8	83
	28,001 and over	0	0	0	0	0	0	16	a/	24	16	a/	24
	Total	38	\$1	\$38	1,551	\$453	\$292	1,275	\$609	\$478	2,864	\$1,064	\$372
<b>All</b>													
	\$ 0 - \$ 4,000	531	\$17	\$33	262	\$39	\$149	201	\$34	\$170	994	\$91	\$91
	4,001 - 8,000	589	30	51	442	174	393	393	191	485	1,424	394	277
	8,001 - 12,000	56	1	11	532	227	427	616	432	702	1,204	660	548
	12,001 - 16,000	0	0	0	505	162	320	601	355	590	1,106	516	467
	16,001 - 20,000	0	0	0	395	69	175	450	175	389	845	244	289
	20,001 - 24,000	0	0	0	293	21	70	419	96	229	712	117	164
	24,001 - 28,000	0	0	0	30	a/	9	356	34	94	386	34	88
	28,001 and over	0	0	0	0	0	0	66	1	21	66	1	21
	Total	1,176	\$48	\$41	2,459	\$692	\$281	3,102	\$1,318	\$425	6,737	\$2,058	\$305

\* Includes Married filing Separate status.

a/ Amount is less than \$500.

d/ Tax Law prohibits the disclosure of individual taxpayer information.

# Saratoga County

Filing Status	Earned Income	Number of Qualifying Children									Total		
		None			One			More than One			#	Credit (000's)	Avg. Credit
		#	Credit (000's)	Avg. Credit	#	Credit (000's)	Avg. Credit	#	Credit (000's)	Avg. Credit			
<b>Single</b>													
\$	0 - \$ 4,000	501	\$17	\$33	25	\$4	\$168	14	\$2	\$173	540	\$23	\$43
	4,001 - 8,000	690	37	53	46	18	396	11	5	489	747	60	81
	8,001 - 12,000	46	1	15	31	13	423	10	7	705	87	21	240
	12,001 - 16,000	0	0	0	31	10	338	15	9	598	46	19	423
	16,001 - 20,000	0	0	0	17	3	203	3	1	435	20	5	238
	20,001 - 24,000	0	0	0	10	1	102	3	1	343	13	2	157
	24,001 - 28,000	0	0	0	2	a/	26	6	1	130	8	1	104
	28,001 and over	0	0	0	0	0	0	0	0	0	0	0	0
	Total	1,237	\$54	\$44	162	\$51	\$312	62	\$27	\$435	1,461	\$132	\$90
<b>Married Filing Joint</b>													
\$	0 - \$ 4,000	55	\$2	\$31	26	\$3	\$120	56	\$11	\$188	137	\$15	\$112
	4,001 - 8,000	58	3	47	74	29	393	78	36	462	210	68	323
	8,001 - 12,000	17	a/	18	105	43	414	178	124	697	300	168	560
	12,001 - 16,000	0	0	0	128	43	336	217	131	603	345	174	504
	16,001 - 20,000	0	0	0	126	21	169	250	98	393	376	119	318
	20,001 - 24,000	0	0	0	120	8	65	256	58	226	376	66	174
	24,001 - 28,000	0	0	0	9	a/	4	307	29	96	316	30	93
	28,001 and over	0	0	0	0	0	0	62	1	23	62	1	23
	Total	130	\$5	\$37	588	\$148	\$251	1,404	\$488	\$348	2,122	\$641	\$302
<b>Head of Household*</b>													
\$	0 - \$ 4,000	15	a/	\$24	172	\$29	\$169	111	\$21	\$191	298	\$51	\$170
	4,001 - 8,000	23	1	51	375	149	396	236	113	479	634	263	415
	8,001 - 12,000	9	a/	18	427	185	434	365	262	719	801	448	559
	12,001 - 16,000	0	0	0	459	146	317	332	201	605	791	346	438
	16,001 - 20,000	0	0	0	409	75	184	256	104	406	665	179	270
	20,001 - 24,000	0	0	0	371	27	72	231	58	252	602	85	141
	24,001 - 28,000	0	0	0	39	a/	10	205	24	115	244	24	98
	28,001 and over	0	0	0	0	0	0	44	1	25	44	1	25
	Total	47	\$2	\$36	2,252	\$611	\$271	1,780	\$784	\$440	4,079	\$1,397	\$342
<b>All</b>													
\$	0 - \$ 4,000	571	\$19	\$33	223	\$36	\$163	181	\$34	\$188	975	\$89	\$92
	4,001 - 8,000	771	41	53	495	196	396	325	155	476	1,591	391	246
	8,001 - 12,000	72	1	16	563	242	429	553	394	712	1,188	636	536
	12,001 - 16,000	0	0	0	618	199	322	564	341	604	1,182	540	457
	16,001 - 20,000	0	0	0	552	100	181	509	203	400	1,061	303	286
	20,001 - 24,000	0	0	0	501	35	71	490	117	239	991	152	154
	24,001 - 28,000	0	0	0	50	a/	10	518	54	104	568	54	96
	28,001 and over	0	0	0	0	0	0	106	3	24	106	3	24
	Total	1,414	\$61	\$43	3,002	\$809	\$270	3,246	\$1,299	\$400	7,662	\$2,169	\$283

\* Includes Married filing Separate status.  
a/ Amount is less than \$500.

# Schenectady County

Filing Status	Earned Income	Number of Qualifying Children									Total		
		None			One			More than One			#	Credit (000's)	Avg. Credit
		#	Credit (000's)	Avg. Credit	#	Credit (000's)	Avg. Credit	#	Credit (000's)	Avg. Credit			
<b>Single</b>													
	\$ 0 - \$ 4,000	498	\$18	\$35	83	\$13	\$161	82	\$13	\$164	663	\$44	\$67
	4,001 - 8,000	673	36	54	66	25	385	46	21	458	785	83	105
	8,001 - 12,000	50	a/	10	39	16	419	27	18	671	116	35	301
	12,001 - 16,000	0	0	0	21	7	350	19	11	604	40	19	471
	16,001 - 20,000	0	0	0	18	4	209	3	1	435	21	5	241
	20,001 - 24,000	0	0	0	10	1	121	4	1	322	14	2	179
	24,001 - 28,000	0	0	0	4	a/	20	1	a/	d/	5	a/	55
	28,001 and over	0	0	0	0	0	0	0	0	0	0	0	0
	<b>Total</b>	<b>1,221</b>	<b>\$54</b>	<b>\$44</b>	<b>241</b>	<b>\$68</b>	<b>\$280</b>	<b>182</b>	<b>\$67</b>	<b>\$368</b>	<b>1,644</b>	<b>\$189</b>	<b>\$115</b>
<b>Married Filing Joint</b>													
	\$ 0 - \$ 4,000	29	\$1	\$29	30	\$4	\$126	39	\$7	\$174	98	\$11	\$116
	4,001 - 8,000	25	1	52	43	16	365	71	35	498	139	52	377
	8,001 - 12,000	20	a/	17	66	28	422	151	105	696	237	133	563
	12,001 - 16,000	0	0	0	75	26	346	153	92	604	228	118	519
	16,001 - 20,000	0	0	0	101	17	163	169	67	399	270	84	311
	20,001 - 24,000	0	0	0	100	6	64	187	42	225	287	48	169
	24,001 - 28,000	0	0	0	5	a/	3	195	17	89	200	17	87
	28,001 and over	0	0	0	0	0	0	39	1	26	39	1	26
	<b>Total</b>	<b>74</b>	<b>\$2</b>	<b>\$33</b>	<b>420</b>	<b>\$96</b>	<b>\$229</b>	<b>1,004</b>	<b>\$368</b>	<b>\$366</b>	<b>1,498</b>	<b>\$466</b>	<b>\$311</b>
<b>Head of Household*</b>													
	\$ 0 - \$ 4,000	13	a/	\$35	230	\$38	\$165	208	\$40	\$191	451	\$78	\$173
	4,001 - 8,000	18	1	54	410	162	394	346	168	485	774	330	427
	8,001 - 12,000	16	a/	12	478	209	436	396	284	718	890	493	554
	12,001 - 16,000	0	0	0	470	150	319	353	214	605	823	364	442
	16,001 - 20,000	0	0	0	391	73	187	312	126	404	703	199	283
	20,001 - 24,000	0	0	0	297	22	74	242	61	251	539	83	153
	24,001 - 28,000	0	0	0	32	a/	13	174	19	111	206	20	96
	28,001 and over	0	0	0	0	0	0	31	1	32	31	1	32
	<b>Total</b>	<b>47</b>	<b>\$2</b>	<b>\$35</b>	<b>2,308</b>	<b>\$654</b>	<b>\$283</b>	<b>2,062</b>	<b>\$912</b>	<b>\$442</b>	<b>4,417</b>	<b>\$1,568</b>	<b>\$355</b>
<b>All</b>													
	\$ 0 - \$ 4,000	540	\$19	\$35	343	\$55	\$161	329	\$60	\$182	1,212	\$134	\$111
	4,001 - 8,000	716	38	54	519	203	390	463	224	484	1,698	465	274
	8,001 - 12,000	86	1	12	583	253	433	574	408	710	1,243	661	532
	12,001 - 16,000	0	0	0	566	183	324	525	317	605	1,091	501	459
	16,001 - 20,000	0	0	0	510	93	183	484	195	402	994	288	290
	20,001 - 24,000	0	0	0	407	30	73	433	104	240	840	134	159
	24,001 - 28,000	0	0	0	41	1	12	370	37	100	411	38	91
	28,001 and over	0	0	0	0	0	0	70	2	29	70	2	29
	<b>Total</b>	<b>1,342</b>	<b>\$58</b>	<b>\$43</b>	<b>2,969</b>	<b>\$817</b>	<b>\$275</b>	<b>3,248</b>	<b>\$1,347</b>	<b>\$415</b>	<b>7,559</b>	<b>\$2,222</b>	<b>\$294</b>

\* Includes Married filing Separate status.

a/ Amount is less than \$500.

d/ Tax Law prohibits the disclosure of individual taxpayer information.

# Schoharie County

Filing Status	Earned Income	Number of Qualifying Children									Total		
		None			One			More than One			#	Credit (000's)	Avg. Credit
		#	Credit (000's)	Avg. Credit	#	Credit (000's)	Avg. Credit	#	Credit (000's)	Avg. Credit			
<b>Single</b>													
	\$ 0 - \$ 4,000	99	\$3	\$34	4	\$1	\$136	4	\$1	\$142	107	\$4	\$42
	4,001 - 8,000	135	7	54	12	5	423	1	1	d/	148	13	87
	8,001 - 12,000	6	a/	14	11	4	386	2	1	731	19	6	305
	12,001 - 16,000	0	0	0	3	1	367	2	1	680	5	2	492
	16,001 - 20,000	0	0	0	1	a/	d/	2	1	360	3	1	283
	20,001 - 24,000	0	0	0	3	a/	137	1	a/	d/	4	1	180
	24,001 - 28,000	0	0	0	0	0	0	0	0	0	0	0	0
	28,001 and over	0	0	0	0	0	0	0	0	0	0	0	0
	Total	240	\$11	\$44	34	\$12	\$338	12	\$5	\$417	286	\$27	\$95
<b>Married Filing Joint</b>													
	\$ 0 - \$ 4,000	21	\$1	\$26	9	\$1	\$123	15	\$3	\$173	45	\$4	\$95
	4,001 - 8,000	19	1	49	18	7	406	27	13	500	64	22	339
	8,001 - 12,000	8	a/	17	33	14	425	59	41	700	100	55	554
	12,001 - 16,000	0	0	0	40	14	345	75	47	629	115	61	530
	16,001 - 20,000	0	0	0	35	6	163	94	38	408	129	44	342
	20,001 - 24,000	0	0	0	32	2	52	80	18	224	112	20	175
	24,001 - 28,000	0	0	0	5	a/	4	80	8	100	85	8	94
	28,001 and over	0	0	0	0	0	0	17	a/	18	17	a/	18
	Total	48	\$2	\$34	172	\$44	\$254	447	\$169	\$378	667	\$214	\$321
<b>Head of Household*</b>													
	\$ 0 - \$ 4,000	2	a/	\$29	46	\$9	\$185	37	\$7	\$190	85	\$16	\$183
	4,001 - 8,000	5	a/	63	73	28	385	56	27	488	134	56	416
	8,001 - 12,000	4	a/	13	82	36	437	78	55	702	164	91	553
	12,001 - 16,000	0	0	0	95	31	329	66	41	622	161	72	449
	16,001 - 20,000	0	0	0	96	18	184	56	23	402	152	40	265
	20,001 - 24,000	0	0	0	64	5	74	43	11	261	107	16	149
	24,001 - 28,000	0	0	0	5	a/	11	37	4	121	42	5	108
	28,001 and over	0	0	0	0	0	0	4	a/	27	4	a/	27
	Total	11	a/	\$39	461	\$126	\$274	377	\$169	\$447	849	\$295	\$348
<b>All</b>													
	\$ 0 - \$ 4,000	122	\$4	\$32	59	\$10	\$172	56	\$10	\$182	237	\$24	\$103
	4,001 - 8,000	159	8	53	103	40	393	84	41	493	346	90	261
	8,001 - 12,000	18	a/	15	126	54	429	139	98	702	283	152	537
	12,001 - 16,000	0	0	0	138	46	334	143	90	627	281	136	483
	16,001 - 20,000	0	0	0	132	24	178	152	62	405	284	85	300
	20,001 - 24,000	0	0	0	99	7	69	124	29	238	223	36	163
	24,001 - 28,000	0	0	0	10	a/	7	117	12	106	127	13	99
	28,001 and over	0	0	0	0	0	0	21	a/	19	21	a/	19
	Total	299	\$13	\$42	667	\$181	\$272	836	\$343	\$410	1,802	\$537	\$298

\* Includes Married filing Separate status.

a/ Amount is less than \$500.

d/ Tax Law prohibits the disclosure of individual taxpayer information.

# Schuyler County

Filing Status	Earned Income	Number of Qualifying Children									Total		
		None			One			More than One			#	Credit (000's)	Avg. Credit
		#	Credit (000's)	Avg. Credit	#	Credit (000's)	Avg. Credit	#	Credit (000's)	Avg. Credit			
<b>Single</b>													
	\$ 0 - \$ 4,000	60	\$2	\$35	3	\$1	\$198	3	\$1	\$170	66	\$3	\$48
	4,001 - 8,000	80	5	56	10	4	411	6	3	523	96	12	122
	8,001 - 12,000	4	a/	13	4	2	422	5	3	679	13	5	395
	12,001 - 16,000	0	0	0	2	1	375	6	4	624	8	4	562
	16,001 - 20,000	0	0	0	4	1	238	1	a/	d/	5	1	275
	20,001 - 24,000	0	0	0	1	a/	d/	0	0	0	1	a/	d/
	24,001 - 28,000	0	0	0	0	0	0	0	0	0	0	0	0
	28,001 and over	0	0	0	0	0	0	0	0	0	0	0	0
	Total	144	\$7	\$46	24	\$8	\$342	21	\$11	\$534	189	\$26	\$138
<b>Married Filing Joint</b>													
	\$ 0 - \$ 4,000	15	a/	\$30	9	\$2	\$175	13	\$2	\$172	37	\$4	\$115
	4,001 - 8,000	12	1	49	18	7	375	25	13	517	55	20	368
	8,001 - 12,000	3	a/	11	15	6	410	40	28	708	58	34	594
	12,001 - 16,000	0	0	0	21	7	346	36	21	584	57	28	496
	16,001 - 20,000	0	0	0	27	5	167	53	22	415	80	27	332
	20,001 - 24,000	0	0	0	24	1	62	52	12	230	76	13	177
	24,001 - 28,000	0	0	0	1	a/	d/	72	7	92	73	7	91
	28,001 and over	0	0	0	0	0	0	15	a/	23	15	a/	23
	Total	30	\$1	\$36	115	\$28	\$241	306	\$105	\$344	451	\$134	\$298
<b>Head of Household*</b>													
	\$ 0 - \$ 4,000	0	\$0	\$0	26	\$4	\$140	22	\$4	\$195	48	\$8	\$165
	4,001 - 8,000	3	a/	65	40	16	395	39	18	457	82	34	412
	8,001 - 12,000	1	a/	d/	66	29	435	55	39	709	122	68	555
	12,001 - 16,000	0	0	0	60	19	320	36	22	619	96	41	432
	16,001 - 20,000	0	0	0	59	11	190	47	19	398	106	30	282
	20,001 - 24,000	0	0	0	45	4	80	20	5	273	65	9	139
	24,001 - 28,000	0	0	0	6	a/	11	22	2	88	28	2	72
	28,001 and over	0	0	0	0	0	0	6	a/	30	6	a/	30
	Total	4	a/	\$51	302	\$82	\$272	247	\$110	\$444	553	\$192	\$347
<b>All</b>													
	\$ 0 - \$ 4,000	75	\$3	\$34	38	\$6	\$153	38	\$7	\$185	151	\$15	\$102
	4,001 - 8,000	95	5	56	68	27	392	70	34	484	233	66	283
	8,001 - 12,000	8	a/	12	85	37	430	100	71	707	193	107	556
	12,001 - 16,000	0	0	0	83	27	328	78	47	603	161	74	461
	16,001 - 20,000	0	0	0	90	17	185	101	41	407	191	58	303
	20,001 - 24,000	0	0	0	70	5	74	72	17	242	142	23	159
	24,001 - 28,000	0	0	0	7	a/	9	94	9	91	101	9	85
	28,001 and over	0	0	0	0	0	0	21	1	25	21	1	25
	Total	178	\$8	\$44	441	\$118	\$268	574	\$226	\$394	1,193	\$352	\$295

\* Includes Married filing Separate status.

a/ Amount is less than \$500.

d/ Tax Law prohibits the disclosure of individual taxpayer information.



# Seneca County

Filing Status	Earned Income	Number of Qualifying Children									Total		
		None			One			More than One			#	Credit (000's)	Avg. Credit
		#	Credit (000's)	Avg. Credit	#	Credit (000's)	Avg. Credit	#	Credit (000's)	Avg. Credit			
<b>Single</b>													
	\$ 0 - \$ 4,000	109	\$4	\$34	6	\$1	\$191	3	a/	\$95	118	\$5	\$44
	4,001 - 8,000	122	7	56	13	5	414	7	3	461	142	15	109
	8,001 - 12,000	10	a/	7	8	3	427	9	6	709	27	10	365
	12,001 - 16,000	0	0	0	8	3	356	3	2	617	11	5	427
	16,001 - 20,000	0	0	0	7	1	199	4	2	489	11	3	305
	20,001 - 24,000	0	0	0	3	a/	102	0	0	0	3	a/	102
	24,001 - 28,000	0	0	0	1	a/	d/	0	0	0	1	a/	d/
	28,001 and over	0	0	0	0	0	0	1	a/	d/	1	a/	d/
	Total	241	\$11	\$44	46	\$15	\$315	27	\$14	\$510	314	\$39	\$124
<b>Married Filing Joint</b>													
	\$ 0 - \$ 4,000	15	a/	\$26	13	\$2	\$131	13	\$3	\$194	41	\$5	\$113
	4,001 - 8,000	20	1	45	17	6	357	25	12	497	62	19	313
	8,001 - 12,000	7	a/	14	25	11	433	48	33	683	80	44	547
	12,001 - 16,000	0	0	0	36	13	354	58	34	586	94	47	497
	16,001 - 20,000	0	0	0	25	4	159	68	26	387	93	30	326
	20,001 - 24,000	0	0	0	34	2	68	81	17	215	115	20	172
	24,001 - 28,000	0	0	0	2	a/	63	69	7	95	71	7	94
	28,001 and over	0	0	0	0	0	0	8	a/	20	8	a/	20
	Total	42	\$1	\$33	152	\$38	\$249	370	\$132	\$357	564	\$171	\$304
<b>Head of Household*</b>													
	\$ 0 - \$ 4,000	5	a/	\$37	58	\$9	\$153	32	\$6	\$186	95	\$15	\$158
	4,001 - 8,000	6	a/	41	81	33	405	68	34	503	155	67	434
	8,001 - 12,000	3	a/	15	89	39	440	88	63	711	180	102	565
	12,001 - 16,000	0	0	0	109	35	324	90	54	595	199	89	446
	16,001 - 20,000	0	0	0	114	21	183	77	31	409	191	52	274
	20,001 - 24,000	0	0	0	63	5	73	52	13	255	115	18	155
	24,001 - 28,000	0	0	0	7	a/	9	37	4	108	44	4	92
	28,001 and over	0	0	0	0	0	0	3	a/	34	3	a/	34
	Total	14	a/	\$34	521	\$142	\$272	447	\$205	\$459	982	\$347	\$354
<b>All</b>													
	\$ 0 - \$ 4,000	129	\$4	\$34	77	\$12	\$152	48	\$9	\$182	254	\$25	\$98
	4,001 - 8,000	148	8	54	111	44	399	100	50	499	359	102	285
	8,001 - 12,000	20	a/	11	122	53	438	145	102	701	287	155	541
	12,001 - 16,000	0	0	0	153	51	333	151	89	592	304	140	461
	16,001 - 20,000	0	0	0	146	26	180	149	60	401	295	86	292
	20,001 - 24,000	0	0	0	100	7	72	133	31	231	233	38	163
	24,001 - 28,000	0	0	0	10	a/	22	106	11	99	116	11	93
	28,001 and over	0	0	0	0	0	0	12	a/	26	12	a/	26
	Total	297	\$13	\$42	719	\$194	\$270	844	\$351	\$416	1,860	\$558	\$300

\* Includes Married filing Separate status.

a/ Amount is less than \$500.

d/ Tax Law prohibits the disclosure of individual taxpayer information.

# Steuben County

Filing Status	Earned Income	Number of Qualifying Children									Total		
		None			One			More than One			#	Credit (000's)	Avg. Credit
		#	Credit (000's)	Avg. Credit	#	Credit (000's)	Avg. Credit	#	Credit (000's)	Avg. Credit			
<b>Single</b>													
	\$ 0 - \$ 4,000	334	\$11	\$33	79	\$12	\$156	63	\$12	\$189	476	\$35	\$74
	4,001 - 8,000	445	24	54	90	35	390	75	35	460	610	93	153
	8,001 - 12,000	25	a/	10	62	27	429	46	32	694	133	59	442
	12,001 - 16,000	0	0	0	31	10	328	23	14	625	54	25	455
	16,001 - 20,000	0	0	0	12	3	227	9	4	452	21	7	323
	20,001 - 24,000	0	0	0	6	1	106	8	2	278	14	3	204
	24,001 - 28,000	0	0	0	0	0	0	3	1	171	3	1	171
	28,001 and over	0	0	0	0	0	0	3	a/	33	3	a/	33
	Total	804	\$35	\$44	280	\$88	\$313	230	\$100	\$433	1,314	\$222	\$169
<b>Married Filing Joint</b>													
	\$ 0 - \$ 4,000	49	\$1	\$26	40	\$6	\$138	71	\$12	\$168	160	\$19	\$117
	4,001 - 8,000	70	4	51	65	25	389	112	54	484	247	83	337
	8,001 - 12,000	19	a/	17	123	52	423	226	157	695	368	209	569
	12,001 - 16,000	0	0	0	122	40	325	221	130	587	343	169	494
	16,001 - 20,000	0	0	0	111	17	157	297	114	383	408	131	322
	20,001 - 24,000	0	0	0	125	8	67	290	66	228	415	74	179
	24,001 - 28,000	0	0	0	10	a/	9	275	26	96	285	26	93
	28,001 and over	0	0	0	0	0	0	60	1	23	60	1	23
	Total	138	\$5	\$38	596	\$148	\$249	1,552	\$560	\$361	2,286	\$714	\$312
<b>Head of Household*</b>													
	\$ 0 - \$ 4,000	6	a/	\$30	118	\$18	\$155	92	\$16	\$173	216	\$34	\$159
	4,001 - 8,000	12	1	54	224	90	401	172	83	482	408	173	425
	8,001 - 12,000	8	a/	18	328	140	427	231	163	706	567	303	535
	12,001 - 16,000	0	0	0	299	95	317	248	149	601	547	244	446
	16,001 - 20,000	0	0	0	251	46	184	196	79	402	447	125	279
	20,001 - 24,000	0	0	0	189	14	75	143	36	249	332	50	150
	24,001 - 28,000	0	0	0	26	a/	10	104	11	104	130	11	85
	28,001 and over	0	0	0	0	0	0	31	1	25	31	1	25
	Total	26	\$1	\$37	1,435	\$404	\$281	1,217	\$537	\$441	2,678	\$941	\$351
<b>All</b>													
	\$ 0 - \$ 4,000	389	\$12	\$32	237	\$36	\$153	226	\$40	\$176	852	\$88	\$104
	4,001 - 8,000	527	28	53	379	150	397	359	172	478	1,265	350	277
	8,001 - 12,000	52	1	14	513	219	426	503	352	700	1,068	571	535
	12,001 - 16,000	0	0	0	452	145	320	492	293	596	944	438	464
	16,001 - 20,000	0	0	0	374	66	177	502	197	392	876	263	300
	20,001 - 24,000	0	0	0	320	23	72	441	104	235	761	127	167
	24,001 - 28,000	0	0	0	36	a/	10	382	38	98	418	38	91
	28,001 and over	0	0	0	0	0	0	94	2	24	94	2	24
	Total	968	\$41	\$43	2,311	\$639	\$277	2,999	\$1,197	\$399	6,278	\$1,878	\$299

\* Includes Married filing Separate status.  
a/ Amount is less than \$500.

# Suffolk County

Filing Status	Earned Income	Number of Qualifying Children									Total		
		None			One			More than One			#	Credit (000's)	Avg. Credit
		#	Credit (000's)	Avg. Credit	#	Credit (000's)	Avg. Credit	#	Credit (000's)	Avg. Credit			
<b>Single</b>													
	\$ 0 - \$ 4,000	3,416	\$120	\$35	286	\$48	\$168	208	\$38	\$181	3,910	\$205	\$53
	4,001 - 8,000	5,211	277	53	398	153	384	219	103	469	5,828	533	91
	8,001 - 12,000	377	4	12	274	113	411	148	103	699	799	221	276
	12,001 - 16,000	0	0	0	202	70	345	95	59	622	297	129	433
	16,001 - 20,000	0	0	0	135	30	220	53	24	444	188	53	283
	20,001 - 24,000	0	0	0	90	9	102	25	8	322	115	17	150
	24,001 - 28,000	0	0	0	28	a/	14	11	2	138	39	2	49
	28,001 and over	0	0	0	0	0	0	7	a/	35	7	a/	35
	Total	9,004	\$401	\$45	1,413	\$423	\$299	766	\$336	\$439	11,183	\$1,160	\$104
<b>Married Filing Joint</b>													
	\$ 0 - \$ 4,000	242	\$8	\$32	209	\$32	\$155	269	\$52	\$192	720	\$92	\$127
	4,001 - 8,000	384	18	48	502	194	386	608	286	471	1,494	498	333
	8,001 - 12,000	171	3	15	715	300	420	1,181	801	678	2,067	1,104	534
	12,001 - 16,000	0	0	0	775	259	335	1,399	834	596	2,174	1,094	503
	16,001 - 20,000	0	0	0	818	138	169	1,606	624	389	2,424	762	314
	20,001 - 24,000	0	0	0	834	55	65	1,659	379	228	2,493	433	174
	24,001 - 28,000	0	0	0	44	1	16	1,554	151	97	1,598	152	95
	28,001 and over	0	0	0	0	0	0	292	6	22	292	6	22
	Total	797	\$29	\$36	3,897	\$979	\$251	8,568	\$3,133	\$366	13,262	\$4,141	\$312
<b>Head of Household*</b>													
	\$ 0 - \$ 4,000	131	\$4	\$33	1,109	\$185	\$167	850	\$161	\$189	2,090	\$350	\$168
	4,001 - 8,000	238	12	51	2,625	1,039	396	1,573	768	488	4,436	1,819	410
	8,001 - 12,000	148	2	14	3,048	1,319	433	2,214	1,582	714	5,410	2,903	537
	12,001 - 16,000	0	0	0	3,285	1,044	318	2,236	1,349	603	5,521	2,393	433
	16,001 - 20,000	0	0	0	2,995	561	187	1,840	738	401	4,835	1,298	269
	20,001 - 24,000	0	0	0	2,410	182	75	1,677	416	248	4,087	597	146
	24,001 - 28,000	0	0	0	278	3	9	1,442	157	109	1,720	159	93
	28,001 and over	0	0	0	0	0	0	293	8	27	293	8	27
	Total	517	\$18	\$36	15,750	\$4,332	\$275	12,125	\$5,177	\$427	28,392	\$9,528	\$336
<b>All</b>													
	\$ 0 - \$ 4,000	3,789	\$132	\$35	1,604	\$265	\$165	1,327	\$250	\$189	6,720	\$647	\$96
	4,001 - 8,000	5,833	308	53	3,525	1,385	393	2,400	1,157	482	11,758	2,850	242
	8,001 - 12,000	696	9	13	4,037	1,732	429	3,543	2,486	702	8,276	4,228	511
	12,001 - 16,000	0	0	0	4,262	1,374	322	3,730	2,242	601	7,992	3,615	452
	16,001 - 20,000	0	0	0	3,948	729	185	3,499	1,385	396	7,447	2,114	284
	20,001 - 24,000	0	0	0	3,334	245	74	3,361	803	239	6,695	1,048	157
	24,001 - 28,000	0	0	0	350	4	11	3,007	309	103	3,357	313	93
	28,001 and over	0	0	0	0	0	0	592	15	25	592	15	25
	Total	10,318	\$448	\$43	21,060	\$5,734	\$272	21,459	\$8,647	\$403	52,837	\$14,830	\$281

\* Includes Married filing Separate status.  
a/ Amount is less than \$500.

# Sullivan County

Filing Status	Earned Income	Number of Qualifying Children									Total		
		None			One			More than One			#	Credit (000's)	Avg. Credit
		#	Credit (000's)	Avg. Credit	#	Credit (000's)	Avg. Credit	#	Credit (000's)	Avg. Credit			
<b>Single</b>													
	\$ 0 - \$ 4,000	270	\$10	\$36	29	\$5	\$184	19	\$4	\$208	318	\$19	\$59
	4,001 - 8,000	480	25	53	42	16	388	31	14	455	553	56	101
	8,001 - 12,000	30	a/	11	23	10	418	17	11	665	70	21	304
	12,001 - 16,000	0	0	0	10	3	334	5	3	535	15	6	401
	16,001 - 20,000	0	0	0	8	2	205	2	1	472	10	3	258
	20,001 - 24,000	0	0	0	3	a/	75	2	1	322	5	1	174
	24,001 - 28,000	0	0	0	0	0	0	2	a/	130	2	a/	130
	28,001 and over	0	0	0	0	0	0	1	a/	d/	1	a/	d/
	Total	780	\$35	\$45	115	\$36	\$317	79	\$34	\$429	974	\$106	\$108
<b>Married Filing Joint</b>													
	\$ 0 - \$ 4,000	54	\$1	\$27	19	\$3	\$153	32	\$5	\$168	105	\$10	\$93
	4,001 - 8,000	42	2	51	67	27	402	73	34	468	182	63	347
	8,001 - 12,000	13	a/	14	66	28	419	177	123	693	256	151	588
	12,001 - 16,000	0	0	0	61	19	320	163	98	601	224	117	524
	16,001 - 20,000	0	0	0	77	13	164	159	62	391	236	75	317
	20,001 - 24,000	0	0	0	58	4	66	186	43	230	244	47	191
	24,001 - 28,000	0	0	0	3	a/	21	116	11	98	119	11	96
	28,001 and over	0	0	0	0	0	0	31	1	23	31	1	23
	Total	109	\$4	\$35	351	\$93	\$266	937	\$377	\$403	1,397	\$474	\$340
<b>Head of Household*</b>													
	\$ 0 - \$ 4,000	7	a/	\$26	92	\$15	\$167	80	\$16	\$201	179	\$32	\$177
	4,001 - 8,000	13	1	54	284	116	409	158	77	486	455	193	425
	8,001 - 12,000	6	a/	18	252	111	439	280	199	711	538	310	576
	12,001 - 16,000	0	0	0	213	68	319	224	139	623	437	208	475
	16,001 - 20,000	0	0	0	206	39	189	191	79	412	397	118	296
	20,001 - 24,000	0	0	0	147	11	76	117	30	254	264	41	155
	24,001 - 28,000	0	0	0	19	a/	9	89	11	121	108	11	101
	28,001 and over	0	0	0	0	0	0	16	a/	23	16	a/	23
	Total	26	\$1	\$38	1,213	\$360	\$297	1,155	\$551	\$477	2,394	\$912	\$381
<b>All</b>													
	\$ 0 - \$ 4,000	331	\$11	\$34	140	\$24	\$168	131	\$25	\$194	602	\$60	\$100
	4,001 - 8,000	535	28	53	393	159	405	262	125	477	1,190	312	262
	8,001 - 12,000	49	1	13	341	148	434	474	333	703	864	482	558
	12,001 - 16,000	0	0	0	284	91	320	392	240	613	676	331	490
	16,001 - 20,000	0	0	0	291	53	183	352	142	402	643	195	303
	20,001 - 24,000	0	0	0	208	15	73	305	73	240	513	88	172
	24,001 - 28,000	0	0	0	22	a/	11	207	22	108	229	23	99
	28,001 and over	0	0	0	0	0	0	48	1	23	48	1	23
	Total	915	\$40	\$44	1,679	\$490	\$292	2,171	\$962	\$443	4,765	\$1,492	\$313

\* Includes Married filing Separate status.

a/ Amount is less than \$500.

d/ Tax Law prohibits the disclosure of individual taxpayer information.

# Tioga County

Filing Status	Earned Income	Number of Qualifying Children									Total		
		None			One			More than One			#	Credit (000's)	Avg. Credit
		#	Credit (000's)	Avg. Credit	#	Credit (000's)	Avg. Credit	#	Credit (000's)	Avg. Credit			
<b>Single</b>													
	\$ 0 - \$ 4,000	157	\$5	\$33	13	\$2	\$157	15	\$3	\$175	185	\$10	\$53
	4,001 - 8,000	214	11	52	24	9	395	19	9	485	257	30	116
	8,001 - 12,000	6	a/	19	20	7	361	13	8	642	39	16	402
	12,001 - 16,000	0	0	0	14	5	351	3	2	679	17	7	409
	16,001 - 20,000	0	0	0	10	2	248	3	1	494	13	4	305
	20,001 - 24,000	0	0	0	2	a/	139	3	1	365	5	1	275
	24,001 - 28,000	0	0	0	3	a/	27	0	0	0	3	a/	27
	28,001 and over	0	0	0	0	0	0	0	0	0	0	0	0
	Total	377	\$16	\$44	86	\$27	\$308	56	\$25	\$443	519	\$68	\$131
<b>Married Filing Joint</b>													
	\$ 0 - \$ 4,000	23	\$1	\$32	22	\$3	\$155	18	\$3	\$169	63	\$7	\$114
	4,001 - 8,000	23	1	54	36	13	374	51	24	467	110	39	350
	8,001 - 12,000	7	a/	21	37	16	428	72	51	704	116	67	575
	12,001 - 16,000	0	0	0	53	18	347	113	71	627	166	89	537
	16,001 - 20,000	0	0	0	58	9	148	121	45	373	179	54	300
	20,001 - 24,000	0	0	0	59	4	68	138	32	231	197	36	182
	24,001 - 28,000	0	0	0	3	a/	8	153	14	94	156	14	93
	28,001 and over	0	0	0	0	0	0	31	1	21	31	1	21
	Total	53	\$2	\$40	268	\$64	\$238	697	\$240	\$345	1,018	\$306	\$301
<b>Head of Household*</b>													
	\$ 0 - \$ 4,000	4	a/	\$25	58	\$9	\$158	37	\$7	\$186	99	\$16	\$163
	4,001 - 8,000	3	a/	44	105	41	386	76	37	492	184	78	424
	8,001 - 12,000	1	a/	d/	127	54	425	94	67	714	222	121	545
	12,001 - 16,000	0	0	0	146	47	322	126	76	607	272	123	454
	16,001 - 20,000	0	0	0	129	25	193	119	47	394	248	72	290
	20,001 - 24,000	0	0	0	110	8	75	73	18	252	183	27	145
	24,001 - 28,000	0	0	0	16	a/	15	62	7	113	78	7	93
	28,001 and over	0	0	0	0	0	0	16	a/	26	16	a/	26
	Total	8	a/	\$31	691	\$184	\$266	603	\$261	\$432	1,302	\$445	\$342
<b>All</b>													
	\$ 0 - \$ 4,000	184	\$6	\$33	93	\$15	\$157	70	\$13	\$179	347	\$33	\$96
	4,001 - 8,000	240	12	52	165	64	385	146	70	482	551	146	266
	8,001 - 12,000	14	a/	20	184	77	419	179	126	705	377	203	540
	12,001 - 16,000	0	0	0	213	70	330	242	149	617	455	220	483
	16,001 - 20,000	0	0	0	197	36	182	243	94	385	440	129	294
	20,001 - 24,000	0	0	0	171	12	73	214	51	240	385	64	166
	24,001 - 28,000	0	0	0	22	a/	15	215	21	100	237	22	92
	28,001 and over	0	0	0	0	0	0	47	1	23	47	1	23
	Total	438	\$19	\$43	1,045	\$274	\$262	1,356	\$526	\$388	2,839	\$819	\$288

\* Includes Married filing Separate status.

a/ Amount is less than \$500.

d/ Tax Law prohibits the disclosure of individual taxpayer information.

# Tompkins County

Filing Status	Earned Income	Number of Qualifying Children									Total		
		None			One			More than One			#	Credit (000's)	Avg. Credit
		#	Credit (000's)	Avg. Credit	#	Credit (000's)	Avg. Credit	#	Credit (000's)	Avg. Credit			
<b>Single</b>													
	\$ 0 - \$ 4,000	304	\$11	\$35	60	\$9	\$149	41	\$7	\$166	405	\$26	\$65
	4,001 - 8,000	416	22	54	63	24	384	54	25	466	533	72	135
	8,001 - 12,000	21	a/	9	48	20	423	46	32	701	115	53	459
	12,001 - 16,000	0	0	0	22	8	355	15	10	651	37	18	475
	16,001 - 20,000	0	0	0	10	2	221	10	5	463	20	7	342
	20,001 - 24,000	0	0	0	5	1	109	2	1	328	7	1	172
	24,001 - 28,000	0	0	0	2	a/	32	2	a/	168	4	a/	100
	28,001 and over	0	0	0	0	0	0	0	0	0	0	0	0
	Total	741	\$33	\$45	210	\$64	\$305	170	\$80	\$468	1,121	\$177	\$158
<b>Married Filing Joint</b>													
	\$ 0 - \$ 4,000	22	\$1	\$25	25	\$4	\$167	30	\$6	\$197	77	\$11	\$138
	4,001 - 8,000	25	1	48	31	12	389	49	23	466	105	36	344
	8,001 - 12,000	14	a/	17	51	21	405	81	59	726	146	80	546
	12,001 - 16,000	0	0	0	50	14	281	90	52	573	140	66	468
	16,001 - 20,000	0	0	0	81	13	164	124	48	387	205	61	299
	20,001 - 24,000	0	0	0	55	3	56	119	27	228	174	30	174
	24,001 - 28,000	0	0	0	2	a/	33	132	13	98	134	13	97
	28,001 and over	0	0	0	0	0	0	39	1	20	39	1	20
	Total	61	\$2	\$32	295	\$67	\$228	664	\$228	\$343	1,020	\$297	\$291
<b>Head of Household*</b>													
	\$ 0 - \$ 4,000	5	a/	\$27	66	\$10	\$158	31	\$5	\$176	102	\$16	\$157
	4,001 - 8,000	5	a/	38	96	37	390	48	24	492	149	61	411
	8,001 - 12,000	6	a/	12	173	75	434	118	84	708	297	159	535
	12,001 - 16,000	0	0	0	156	50	318	125	74	593	281	124	440
	16,001 - 20,000	0	0	0	165	31	185	126	49	387	291	79	273
	20,001 - 24,000	0	0	0	169	13	76	107	26	243	276	39	141
	24,001 - 28,000	0	0	0	19	a/	11	69	8	116	88	8	94
	28,001 and over	0	0	0	0	0	0	13	a/	30	13	a/	30
	Total	16	a/	\$25	844	\$216	\$256	637	\$270	\$424	1,497	\$487	\$325
<b>All</b>													
	\$ 0 - \$ 4,000	331	\$11	\$34	151	\$24	\$156	102	\$18	\$178	584	\$53	\$91
	4,001 - 8,000	446	24	54	190	74	388	151	72	474	787	169	215
	8,001 - 12,000	41	1	12	272	116	427	245	175	713	558	291	522
	12,001 - 16,000	0	0	0	228	71	313	230	135	589	458	207	452
	16,001 - 20,000	0	0	0	256	46	180	260	101	390	516	147	286
	20,001 - 24,000	0	0	0	229	17	72	228	54	236	457	70	154
	24,001 - 28,000	0	0	0	23	a/	15	203	21	105	226	22	96
	28,001 and over	0	0	0	0	0	0	52	1	23	52	1	23
	Total	818	\$36	\$43	1,349	\$348	\$258	1,471	\$577	\$393	3,638	\$961	\$264

\* Includes Married filing Separate status.  
a/ Amount is less than \$500.

# Ulster County

Filing Status	Earned Income	Number of Qualifying Children									Total		
		None			One			More than One			#	Credit (000's)	Avg. Credit
		#	Credit (000's)	Avg. Credit	#	Credit (000's)	Avg. Credit	#	Credit (000's)	Avg. Credit			
<b>Single</b>													
	\$ 0 - \$ 4,000	644	\$22	\$34	40	\$7	\$166	24	\$5	\$224	708	\$34	\$48
	4,001 - 8,000	898	48	54	60	22	373	28	13	454	986	83	84
	8,001 - 12,000	58	a/	9	41	17	421	16	11	703	115	29	252
	12,001 - 16,000	0	0	0	22	8	343	16	10	626	38	18	462
	16,001 - 20,000	0	0	0	28	6	216	9	4	476	37	10	280
	20,001 - 24,000	0	0	0	6	1	106	2	1	360	8	1	169
	24,001 - 28,000	0	0	0	2	a/	14	4	a/	93	6	a/	67
	28,001 and over	0	0	0	0	0	0	0	0	0	0	0	0
	Total	1,600	\$70	\$44	199	\$61	\$304	99	\$45	\$452	1,898	\$176	\$93
<b>Married Filing Joint</b>													
	\$ 0 - \$ 4,000	61	\$2	\$28	48	\$8	\$169	54	\$10	\$190	163	\$20	\$123
	4,001 - 8,000	81	4	50	77	31	405	113	55	488	271	90	333
	8,001 - 12,000	47	1	16	134	56	421	203	140	691	384	198	514
	12,001 - 16,000	0	0	0	143	48	333	226	138	611	369	186	504
	16,001 - 20,000	0	0	0	163	30	181	263	106	402	426	135	317
	20,001 - 24,000	0	0	0	119	7	61	249	58	232	368	65	177
	24,001 - 28,000	0	0	0	6	a/	11	283	28	98	289	28	97
	28,001 and over	0	0	0	0	0	0	60	2	26	60	2	26
	Total	189	\$6	\$34	690	\$180	\$261	1,451	\$537	\$370	2,330	\$723	\$310
<b>Head of Household*</b>													
	\$ 0 - \$ 4,000	18	\$1	\$35	222	\$36	\$163	173	\$33	\$190	413	\$70	\$169
	4,001 - 8,000	36	2	54	458	179	390	281	132	470	775	312	403
	8,001 - 12,000	17	a/	14	493	215	436	378	273	722	888	488	550
	12,001 - 16,000	0	0	0	470	151	321	345	212	614	815	363	445
	16,001 - 20,000	0	0	0	441	82	187	304	123	405	745	206	276
	20,001 - 24,000	0	0	0	364	28	77	251	65	257	615	93	151
	24,001 - 28,000	0	0	0	33	a/	9	176	19	107	209	19	92
	28,001 and over	0	0	0	0	0	0	30	1	20	30	1	20
	Total	71	\$3	\$39	2,481	\$691	\$279	1,938	\$857	\$442	4,490	\$1,551	\$345
<b>All</b>													
	\$ 0 - \$ 4,000	723	\$24	\$34	310	\$51	\$164	251	\$49	\$193	1,284	\$124	\$96
	4,001 - 8,000	1,015	54	53	595	232	390	422	200	473	2,032	486	239
	8,001 - 12,000	122	1	12	668	288	432	597	424	711	1,387	714	515
	12,001 - 16,000	0	0	0	635	206	325	587	360	613	1,222	566	463
	16,001 - 20,000	0	0	0	632	118	187	576	233	404	1,208	351	291
	20,001 - 24,000	0	0	0	489	36	74	502	123	245	991	159	160
	24,001 - 28,000	0	0	0	41	a/	9	463	47	102	504	48	94
	28,001 and over	0	0	0	0	0	0	90	2	24	90	2	24
	Total	1,860	\$80	\$43	3,370	\$932	\$277	3,488	\$1,438	\$412	8,718	\$2,450	\$281

\* Includes Married filing Separate status.  
a/ Amount is less than \$500.

# Warren County

Filing Status	Earned Income	Number of Qualifying Children									Total		
		None			One			More than One			#	Credit (000's)	Avg. Credit
		#	Credit (000's)	Avg. Credit	#	Credit (000's)	Avg. Credit	#	Credit (000's)	Avg. Credit			
<b>Single</b>													
	\$ 0 - \$ 4,000	215	\$7	\$34	8	\$1	\$139	5	\$1	\$189	228	\$9	\$41
	4,001 - 8,000	357	19	53	22	9	391	4	2	456	383	29	76
	8,001 - 12,000	20	a/	12	12	5	414	6	4	696	38	9	247
	12,001 - 16,000	0	0	0	8	3	338	2	1	683	10	4	407
	16,001 - 20,000	0	0	0	4	1	193	1	a/	d/	5	1	251
	20,001 - 24,000	0	0	0	2	a/	113	0	0	0	2	a/	113
	24,001 - 28,000	0	0	0	0	0	0	1	a/	d/	1	a/	d/
	28,001 and over	0	0	0	0	0	0	0	0	0	0	0	0
	Total	592	\$26	\$45	56	\$18	\$328	19	\$9	\$473	667	\$54	\$81
<b>Married Filing Joint</b>													
	\$ 0 - \$ 4,000	31	\$1	\$32	22	\$3	\$149	25	\$5	\$185	78	\$9	\$114
	4,001 - 8,000	44	2	46	51	21	403	65	30	468	160	53	331
	8,001 - 12,000	17	a/	14	64	28	434	106	75	705	187	103	549
	12,001 - 16,000	0	0	0	62	18	298	120	77	639	182	95	523
	16,001 - 20,000	0	0	0	69	12	169	130	48	369	199	60	300
	20,001 - 24,000	0	0	0	86	5	58	152	34	222	238	39	162
	24,001 - 28,000	0	0	0	5	a/	16	127	12	94	132	12	91
	28,001 and over	0	0	0	0	0	0	23	1	24	23	1	24
	Total	92	\$3	\$36	359	\$87	\$242	748	\$281	\$375	1,199	\$371	\$309
<b>Head of Household*</b>													
	\$ 0 - \$ 4,000	7	a/	\$31	92	\$15	\$159	79	\$16	\$198	178	\$30	\$171
	4,001 - 8,000	14	1	48	200	78	388	145	70	482	359	148	413
	8,001 - 12,000	5	a/	16	228	101	444	159	114	717	392	215	549
	12,001 - 16,000	0	0	0	213	67	314	172	101	589	385	168	437
	16,001 - 20,000	0	0	0	155	29	186	113	46	405	268	75	278
	20,001 - 24,000	0	0	0	122	9	75	88	22	254	210	32	150
	24,001 - 28,000	0	0	0	12	a/	8	53	6	120	65	6	99
	28,001 and over	0	0	0	0	0	0	19	a/	24	19	a/	24
	Total	26	\$1	\$37	1,022	\$298	\$292	828	\$376	\$454	1,876	\$675	\$360
<b>All</b>													
	\$ 0 - \$ 4,000	253	\$9	\$34	122	\$19	\$156	109	\$21	\$195	484	\$49	\$101
	4,001 - 8,000	415	22	52	273	107	391	214	102	477	902	230	256
	8,001 - 12,000	42	1	13	304	134	441	271	193	712	617	327	531
	12,001 - 16,000	0	0	0	283	88	311	294	179	610	577	267	463
	16,001 - 20,000	0	0	0	228	41	181	244	94	386	472	136	287
	20,001 - 24,000	0	0	0	210	14	69	240	56	233	450	70	156
	24,001 - 28,000	0	0	0	17	a/	11	181	18	102	198	19	94
	28,001 and over	0	0	0	0	0	0	42	1	24	42	1	24
	Total	710	\$31	\$43	1,437	\$404	\$281	1,595	\$665	\$417	3,742	\$1,100	\$294

\* Includes Married filing Separate status.

a/ Amount is less than \$500.

d/ Tax Law prohibits the disclosure of individual taxpayer information.



# Washington County

Filing Status	Earned Income	Number of Qualifying Children									Total		
		None			One			More than One			#	Credit (000's)	Avg. Credit
		#	Credit (000's)	Avg. Credit	#	Credit (000's)	Avg. Credit	#	Credit (000's)	Avg. Credit			
<b>Single</b>													
	\$ 0 - \$ 4,000	211	\$7	\$32	24	\$4	\$158	15	\$3	\$217	250	\$14	\$55
	4,001 - 8,000	254	13	51	29	11	391	13	6	466	296	30	103
	8,001 - 12,000	11	a/	10	21	9	419	13	9	681	45	18	395
	12,001 - 16,000	0	0	0	18	6	329	3	2	589	21	8	366
	16,001 - 20,000	0	0	0	7	1	193	3	2	516	10	3	290
	20,001 - 24,000	0	0	0	7	1	82	1	a/	d/	8	1	105
	24,001 - 28,000	0	0	0	4	a/	21	2	a/	143	6	a/	62
	28,001 and over	0	0	0	0	0	0	0	0	0	0	0	0
	Total	476	\$20	\$42	110	\$32	\$289	50	\$22	\$441	636	\$74	\$116
<b>Married Filing Joint</b>													
	\$ 0 - \$ 4,000	31	\$1	\$28	20	\$3	\$157	44	\$7	\$170	95	\$11	\$121
	4,001 - 8,000	46	2	48	47	18	375	69	34	491	162	54	332
	8,001 - 12,000	20	a/	12	56	23	402	124	85	689	200	108	541
	12,001 - 16,000	0	0	0	59	20	346	88	55	625	147	75	513
	16,001 - 20,000	0	0	0	79	13	165	133	50	379	212	63	299
	20,001 - 24,000	0	0	0	65	4	62	169	38	224	234	42	179
	24,001 - 28,000	0	0	0	3	a/	23	155	15	99	158	15	98
	28,001 and over	0	0	0	0	0	0	35	1	19	35	1	19
	Total	97	\$3	\$34	329	\$81	\$246	817	\$286	\$350	1,243	\$370	\$298
<b>Head of Household*</b>													
	\$ 0 - \$ 4,000	6	a/	\$28	96	\$17	\$174	53	\$10	\$188	155	\$27	\$174
	4,001 - 8,000	3	a/	21	163	64	396	127	62	486	293	126	431
	8,001 - 12,000	4	a/	20	181	79	438	163	116	713	348	195	562
	12,001 - 16,000	0	0	0	204	66	323	137	83	606	341	149	436
	16,001 - 20,000	0	0	0	165	29	179	157	62	394	322	91	284
	20,001 - 24,000	0	0	0	124	10	81	119	30	256	243	40	166
	24,001 - 28,000	0	0	0	15	a/	10	51	5	105	66	5	83
	28,001 and over	0	0	0	0	0	0	7	a/	16	7	a/	16
	Total	13	a/	\$24	948	\$266	\$281	814	\$369	\$453	1,775	\$635	\$358
<b>All</b>													
	\$ 0 - \$ 4,000	248	\$8	\$31	140	\$24	\$169	112	\$21	\$185	500	\$52	\$104
	4,001 - 8,000	303	15	50	239	93	391	209	102	487	751	210	280
	8,001 - 12,000	35	a/	12	258	111	429	300	210	702	593	321	542
	12,001 - 16,000	0	0	0	281	92	328	228	140	613	509	232	456
	16,001 - 20,000	0	0	0	251	44	175	293	114	388	544	158	290
	20,001 - 24,000	0	0	0	196	15	74	289	69	237	485	83	171
	24,001 - 28,000	0	0	0	22	a/	14	208	21	101	230	21	93
	28,001 and over	0	0	0	0	0	0	42	1	18	42	1	18
	Total	586	\$23	\$40	1,387	\$379	\$273	1,681	\$677	\$403	3,654	\$1,079	\$295

\* Includes Married filing Separate status.

a/ Amount is less than \$500.

d/ Tax Law prohibits the disclosure of individual taxpayer information.

# Wayne County

Filing Status	Earned Income	Number of Qualifying Children									Total		
		None			One			More than One			#	Credit (000's)	Avg. Credit
		#	Credit (000's)	Avg. Credit	#	Credit (000's)	Avg. Credit	#	Credit (000's)	Avg. Credit			
<b>Single</b>													
	\$ 0 - \$ 4,000	253	\$8	\$33	35	\$5	\$145	22	\$4	\$161	310	\$17	\$54
	4,001 - 8,000	333	18	54	39	15	383	21	10	489	393	43	110
	8,001 - 12,000	14	a/	11	27	11	424	14	10	705	55	21	391
	12,001 - 16,000	0	0	0	16	6	349	8	5	618	24	11	438
	16,001 - 20,000	0	0	0	12	3	239	3	1	448	15	4	281
	20,001 - 24,000	0	0	0	9	1	88	4	1	286	13	2	149
	24,001 - 28,000	0	0	0	1	a/	d/	1	a/	d/	2	a/	51
	28,001 and over	0	0	0	0	0	0	0	0	0	0	0	0
	Total	600	\$26	\$44	139	\$41	\$293	73	\$31	\$427	812	\$98	\$121
<b>Married Filing Joint</b>													
	\$ 0 - \$ 4,000	32	\$1	\$26	29	\$5	\$158	33	\$7	\$201	94	\$12	\$128
	4,001 - 8,000	39	2	48	42	17	396	108	54	504	189	73	386
	8,001 - 12,000	18	a/	17	49	21	425	109	73	668	176	94	534
	12,001 - 16,000	0	0	0	57	20	348	151	93	613	208	112	540
	16,001 - 20,000	0	0	0	63	10	153	165	61	370	228	71	310
	20,001 - 24,000	0	0	0	80	4	55	177	41	233	257	46	178
	24,001 - 28,000	0	0	0	2	a/	3	189	18	95	191	18	94
	28,001 and over	0	0	0	0	0	0	48	1	21	48	1	21
	Total	89	\$3	\$34	322	\$76	\$236	980	\$348	\$355	1,391	\$427	\$307
<b>Head of Household*</b>													
	\$ 0 - \$ 4,000	11	a/	\$33	112	\$18	\$161	113	\$22	\$193	236	\$40	\$170
	4,001 - 8,000	24	1	51	246	98	396	198	95	480	468	194	414
	8,001 - 12,000	5	a/	13	267	116	435	251	178	710	523	294	563
	12,001 - 16,000	0	0	0	305	97	318	257	156	607	562	253	450
	16,001 - 20,000	0	0	0	272	51	187	210	85	406	482	136	282
	20,001 - 24,000	0	0	0	215	16	73	162	41	252	377	57	150
	24,001 - 28,000	0	0	0	23	a/	9	127	14	113	150	15	97
	28,001 and over	0	0	0	0	0	0	30	1	20	30	1	20
	Total	40	\$2	\$41	1,440	\$395	\$275	1,348	\$592	\$439	2,828	\$989	\$350
<b>All</b>													
	\$ 0 - \$ 4,000	296	\$9	\$32	176	\$28	\$158	168	\$32	\$190	640	\$69	\$108
	4,001 - 8,000	396	21	53	327	129	395	327	160	488	1050	310	295
	8,001 - 12,000	37	1	14	343	148	433	374	261	698	754	410	544
	12,001 - 16,000	0	0	0	378	122	324	416	253	609	794	376	473
	16,001 - 20,000	0	0	0	347	63	183	378	148	391	725	211	291
	20,001 - 24,000	0	0	0	304	21	69	343	83	243	647	104	161
	24,001 - 28,000	0	0	0	26	a/	8	317	32	102	343	33	95
	28,001 and over	0	0	0	0	0	0	78	2	21	78	2	21
	Total	729	\$31	\$43	1,901	\$512	\$269	2,401	\$971	\$404	5,031	\$1,514	\$301

\* Includes Married filing Separate status.

a/ Amount is less than \$500.

d/ Tax Law prohibits the disclosure of individual taxpayer information.

# Westchester County

Filing Status	Earned Income	Number of Qualifying Children									Total		
		None			One			More than One			#	Credit (000's)	Avg. Credit
		#	Credit (000's)	Avg. Credit	#	Credit (000's)	Avg. Credit	#	Credit (000's)	Avg. Credit			
<b>Single</b>													
	\$ 0 - \$ 4,000	2,118	\$74	\$35	64	\$10	\$160	26	\$5	\$176	2,208	\$89	\$40
	4,001 - 8,000	3,274	175	53	109	43	394	34	18	530	3,417	236	69
	8,001 - 12,000	186	2	11	78	33	420	37	25	676	301	60	199
	12,001 - 16,000	0	0	0	54	19	346	26	16	627	80	35	437
	16,001 - 20,000	0	0	0	59	13	223	15	6	432	74	20	265
	20,001 - 24,000	0	0	0	35	4	102	11	3	279	46	7	145
	24,001 - 28,000	0	0	0	13	a/	16	13	2	162	26	2	89
	28,001 and over	0	0	0	0	0	0	3	a/	61	3	a/	61
	Total	5,578	\$251	\$45	412	\$122	\$295	165	\$76	\$459	6,155	\$449	\$73
<b>Married Filing Joint</b>													
	\$ 0 - \$ 4,000	131	\$4	\$34	94	\$14	\$144	126	\$23	\$186	351	\$41	\$118
	4,001 - 8,000	253	13	50	279	112	400	264	127	479	796	251	315
	8,001 - 12,000	113	2	15	396	171	433	688	485	705	1,197	658	550
	12,001 - 16,000	0	0	0	517	179	346	766	469	613	1,283	648	505
	16,001 - 20,000	0	0	0	550	95	172	798	317	397	1,348	411	305
	20,001 - 24,000	0	0	0	468	32	67	856	204	238	1,324	236	178
	24,001 - 28,000	0	0	0	29	a/	14	711	72	101	740	72	98
	28,001 and over	0	0	0	0	0	0	151	4	24	151	4	24
	Total	497	\$19	\$38	2,333	\$602	\$258	4,360	\$1,701	\$390	7,190	\$2,322	\$323
<b>Head of Household*</b>													
	\$ 0 - \$ 4,000	115	\$4	\$34	1,045	\$174	\$166	792	\$153	\$193	1,952	\$331	\$170
	4,001 - 8,000	199	10	51	2,192	878	400	1,151	554	481	3,542	1,442	407
	8,001 - 12,000	123	2	16	2,242	982	438	1,814	1,303	718	4,179	2,287	547
	12,001 - 16,000	0	0	0	2,196	704	320	1,481	902	609	3,677	1,605	437
	16,001 - 20,000	0	0	0	1,916	358	187	1,309	527	403	3,225	885	275
	20,001 - 24,000	0	0	0	1,668	122	73	1,245	314	252	2,913	436	150
	24,001 - 28,000	0	0	0	210	2	9	1,028	114	111	1,238	116	93
	28,001 and over	0	0	0	0	0	0	256	7	27	256	7	27
	Total	437	\$16	\$37	11,469	\$3,220	\$281	9,076	\$3,873	\$427	20,982	\$7,109	\$339
<b>All</b>													
	\$ 0 - \$ 4,000	2,364	\$83	\$35	1,203	\$198	\$164	944	\$181	\$192	4,511	\$462	\$102
	4,001 - 8,000	3,726	197	53	2,580	1,033	400	1,449	698	482	7,755	1,928	249
	8,001 - 12,000	422	6	13	2,716	1,186	437	2,539	1,813	714	5,677	3,005	529
	12,001 - 16,000	0	0	0	2,767	901	326	2,273	1,387	610	5,040	2,288	454
	16,001 - 20,000	0	0	0	2,525	466	185	2,122	850	401	4,647	1,317	283
	20,001 - 24,000	0	0	0	2,171	157	72	2,112	521	247	4,283	678	158
	24,001 - 28,000	0	0	0	252	3	10	1,752	188	107	2,004	190	95
	28,001 and over	0	0	0	0	0	0	410	11	26	410	11	26
	Total	6,512	\$286	\$44	14,214	\$3,944	\$277	13,601	\$5,649	\$415	34,327	\$9,879	\$288

\* Includes Married filing Separate status.  
a/ Amount is less than \$500.

# Wyoming County

Filing Status	Earned Income	Number of Qualifying Children									Total		
		None			One			More than One			#	Credit (000's)	Avg. Credit
		#	Credit (000's)	Avg. Credit	#	Credit (000's)	Avg. Credit	#	Credit (000's)	Avg. Credit			
<b>Single</b>													
	\$ 0 - \$ 4,000	104	\$3	\$32	8	\$1	\$168	7	\$2	\$252	119	\$6	\$54
	4,001 - 8,000	159	8	51	14	5	387	6	3	492	179	16	92
	8,001 - 12,000	9	a/	11	15	6	415	9	6	698	33	13	382
	12,001 - 16,000	0	0	0	9	3	324	3	2	609	12	5	395
	16,001 - 20,000	0	0	0	4	1	253	0	0	0	4	1	253
	20,001 - 24,000	0	0	0	5	1	131	2	1	293	7	1	177
	24,001 - 28,000	0	0	0	0	0	0	0	0	0	0	0	0
	28,001 and over	0	0	0	0	0	0	1	a/	d/	1	a/	d/
	Total	272	\$12	\$42	55	\$18	\$319	28	\$13	\$480	355	\$43	\$120
<b>Married Filing Joint</b>													
	\$ 0 - \$ 4,000	24	\$1	\$26	10	\$1	\$94	15	\$2	\$164	49	\$4	\$82
	4,001 - 8,000	22	1	49	23	9	400	32	15	466	77	25	327
	8,001 - 12,000	13	a/	13	27	11	391	63	41	654	103	52	504
	12,001 - 16,000	0	0	0	43	14	318	70	40	565	113	53	471
	16,001 - 20,000	0	0	0	43	7	155	92	35	381	135	42	309
	20,001 - 24,000	0	0	0	37	3	68	91	20	215	128	22	173
	24,001 - 28,000	0	0	0	2	a/	38	114	10	92	116	11	91
	28,001 and over	0	0	0	0	0	0	14	a/	25	14	a/	25
	Total	59	\$2	\$32	185	\$44	\$236	491	\$164	\$333	735	\$209	\$284
<b>Head of Household*</b>													
	\$ 0 - \$ 4,000	5	a/	\$22	36	\$6	\$172	45	\$9	\$208	86	\$16	\$182
	4,001 - 8,000	3	a/	59	77	30	390	57	28	493	137	58	426
	8,001 - 12,000	3	a/	5	101	44	432	95	67	706	199	111	556
	12,001 - 16,000	0	0	0	91	29	316	88	52	587	179	80	450
	16,001 - 20,000	0	0	0	100	18	178	72	28	394	172	46	268
	20,001 - 24,000	0	0	0	82	6	71	74	19	252	156	24	157
	24,001 - 28,000	0	0	0	6	a/	8	38	4	104	44	4	91
	28,001 and over	0	0	0	0	0	0	10	a/	29	10	a/	29
	Total	11	a/	\$27	493	\$132	\$269	479	\$207	\$433	983	\$340	\$346
<b>All</b>													
	\$ 0 - \$ 4,000	133	\$4	\$30	54	\$8	\$157	67	\$14	\$203	254	\$26	\$103
	4,001 - 8,000	184	9	51	114	45	392	95	46	484	393	100	254
	8,001 - 12,000	25	a/	11	143	60	423	167	115	686	335	175	523
	12,001 - 16,000	0	0	0	143	45	317	161	93	578	304	138	455
	16,001 - 20,000	0	0	0	147	25	173	164	63	387	311	89	286
	20,001 - 24,000	0	0	0	124	9	73	167	39	232	291	48	164
	24,001 - 28,000	0	0	0	8	a/	16	152	14	95	160	15	91
	28,001 and over	0	0	0	0	0	0	25	1	27	25	1	27
	Total	342	\$14	\$40	733	\$194	\$264	998	\$384	\$385	2,073	\$592	\$285

\* Includes Married filing Separate status.

a/ Amount is less than \$500.

d/ Tax Law prohibits the disclosure of individual taxpayer information.

# Yates County

Filing Status	Earned Income	Number of Qualifying Children									Total		
		None			One			More than One			#	Credit (000's)	Avg. Credit
		#	Credit (000's)	Avg. Credit	#	Credit (000's)	Avg. Credit	#	Credit (000's)	Avg. Credit			
<b>Single</b>													
	\$ 0 - \$ 4,000	106	\$3	\$32	5	\$1	\$146	1	a/	d/	112	\$4	\$38
	4,001 - 8,000	89	5	54	4	2	410	5	2	459	98	9	89
	8,001 - 12,000	10	a/	12	3	1	421	3	2	717	16	4	221
	12,001 - 16,000	0	0	0	7	3	360	0	0	0	7	3	360
	16,001 - 20,000	0	0	0	0	0	0	1	a/	d/	1	a/	d/
	20,001 - 24,000	0	0	0	4	a/	83	0	0	0	4	a/	83
	24,001 - 28,000	0	0	0	3	a/	26	1	a/	d/	4	a/	71
	28,001 and over	0	0	0	0	0	0	0	0	0	0	0	0
	Total	205	\$8	\$40	26	\$7	\$252	11	\$5	\$475	242	\$20	\$83
<b>Married Filing Joint</b>													
	\$ 0 - \$ 4,000	14	a/	\$20	6	\$1	\$138	16	\$3	\$198	36	\$4	\$119
	4,001 - 8,000	20	1	46	16	6	386	22	11	502	58	18	313
	8,001 - 12,000	10	a/	18	20	8	413	46	32	690	76	40	529
	12,001 - 16,000	0	0	0	31	10	316	52	32	618	83	42	505
	16,001 - 20,000	0	0	0	19	3	160	60	25	413	79	28	352
	20,001 - 24,000	0	0	0	26	2	63	74	16	217	100	18	177
	24,001 - 28,000	0	0	0	1	a/	d/	59	6	105	60	6	104
	28,001 and over	0	0	0	0	0	0	18	a/	23	18	a/	23
	Total	44	\$1	\$31	119	\$30	\$250	347	\$126	\$362	510	\$157	\$307
<b>Head of Household*</b>													
	\$ 0 - \$ 4,000	0	\$0	\$0	33	\$6	\$167	21	\$4	\$200	54	\$10	\$180
	4,001 - 8,000	2	a/	59	69	27	391	46	23	491	117	50	425
	8,001 - 12,000	0	0	0	67	30	441	71	52	727	138	81	588
	12,001 - 16,000	0	0	0	77	25	327	73	45	622	150	71	471
	16,001 - 20,000	0	0	0	74	15	202	60	25	415	134	40	297
	20,001 - 24,000	0	0	0	54	4	71	37	10	265	91	14	150
	24,001 - 28,000	0	0	0	5	a/	13	25	3	115	30	3	98
	28,001 and over	0	0	0	0	0	0	3	a/	17	3	a/	17
	Total	2	a/	\$59	379	\$106	\$280	336	\$161	\$480	717	\$268	\$373
<b>All</b>													
	\$ 0 - \$ 4,000	120	\$4	\$30	44	\$7	\$160	38	\$7	\$197	202	\$18	\$90
	4,001 - 8,000	111	6	52	89	35	391	73	36	492	273	77	280
	8,001 - 12,000	20	a/	15	90	39	434	120	85	712	230	125	543
	12,001 - 16,000	0	0	0	115	38	326	125	78	620	240	115	479
	16,001 - 20,000	0	0	0	93	18	193	121	50	415	214	68	318
	20,001 - 24,000	0	0	0	84	6	69	111	26	233	195	32	162
	24,001 - 28,000	0	0	0	9	a/	18	85	9	109	94	9	100
	28,001 and over	0	0	0	0	0	0	21	a/	22	21	a/	22
	Total	251	\$10	\$39	524	\$142	\$272	694	\$292	\$421	1,469	\$444	\$302

\* Includes Married filing Separate status.

a/ Amount is less than \$500.

d/ Tax Law prohibits the disclosure of individual taxpayer information.

# New York City Total

Filing Status	Earned Income	Number of Qualifying Children									Total		
		None			One			More than One			#	Credit (000's)	Avg. Credit
		#	Credit (000's)	Avg. Credit	#	Credit (000's)	Avg. Credit	#	Credit (000's)	Avg. Credit			
<b>Single</b>													
\$	0 - \$ 4,000	38,283	\$1,402	\$37	1,273	\$203	\$159	498	\$84	\$169	40,054	\$1,688	\$42
	4,001 - 8,000	55,216	3,019	55	2,409	958	398	619	289	467	58,244	4,265	73
	8,001 - 12,000	2,758	29	10	1,633	680	416	818	581	710	5,209	1,290	248
	12,001 - 16,000	0	0	0	1,099	381	347	372	232	623	1,471	613	417
	16,001 - 20,000	0	0	0	700	156	223	251	115	460	951	271	285
	20,001 - 24,000	0	0	0	472	47	100	193	58	299	665	105	158
	24,001 - 28,000	0	0	0	158	3	20	121	17	144	279	21	74
	28,001 and over	0	0	0	0	0	0	43	2	46	43	2	46
	Total	96,257	\$4,449	\$46	7,744	\$2,428	\$313	2,915	\$1,378	\$473	106,916	\$8,255	\$77
<b>Married Filing Joint</b>													
\$	0 - \$ 4,000	3,373	\$126	\$37	1,757	\$293	\$167	1,684	\$330	\$196	6,814	\$749	\$110
	4,001 - 8,000	6,963	357	51	9,253	3,866	418	7,311	3,779	517	23,527	8,003	340
	8,001 - 12,000	2,768	41	15	10,720	4,713	440	23,247	16,818	723	36,735	21,572	587
	12,001 - 16,000	0	0	0	10,527	3,695	351	15,926	10,143	637	26,453	13,837	523
	16,001 - 20,000	0	0	0	9,275	1,620	175	13,709	5,581	407	22,984	7,202	313
	20,001 - 24,000	0	0	0	6,563	436	66	11,204	2,655	237	17,767	3,090	174
	24,001 - 28,000	0	0	0	305	4	12	8,846	887	100	9,151	891	97
	28,001 and over	0	0	0	0	0	0	1,613	37	23	1,613	37	23
	Total	13,104	\$524	\$40	48,400	\$14,627	\$302	83,540	\$40,229	\$482	145,044	\$55,381	\$382
<b>Head of Household*</b>													
\$	0 - \$ 4,000	2,192	\$78	\$36	17,833	\$2,952	\$166	11,497	\$2,196	\$191	31,522	\$5,227	\$166
	4,001 - 8,000	4,208	211	50	48,123	19,628	408	21,837	10,717	491	74,168	30,556	412
	8,001 - 12,000	2,537	37	14	44,024	19,420	441	38,543	27,883	723	85,104	47,339	556
	12,001 - 16,000	0	0	0	38,466	12,441	323	25,035	15,332	612	63,501	27,774	437
	16,001 - 20,000	0	0	0	32,355	6,079	188	22,082	8,932	405	54,437	15,011	276
	20,001 - 24,000	1	a/	d/	27,945	2,050	73	20,515	5,170	252	48,461	7,220	149
	24,001 - 28,000	0	0	0	3,407	31	9	17,985	2,028	113	21,392	2,059	96
	28,001 and over	0	0	0	0	0	0	3,822	98	26	3,822	98	26
	Total	8,938	\$326	\$36	212,153	\$62,601	\$295	161,316	\$72,357	\$449	382,407	\$135,284	\$354
<b>All</b>													
\$	0 - \$ 4,000	43,848	\$1,606	\$37	20,863	\$3,448	\$165	13,679	\$2,610	\$191	78,390	\$7,664	\$98
	4,001 - 8,000	66,387	3,587	54	59,785	24,451	409	29,767	14,785	497	155,939	42,823	275
	8,001 - 12,000	8,063	107	13	56,377	24,813	440	62,608	45,281	723	127,048	70,201	553
	12,001 - 16,000	0	0	0	50,092	16,517	330	41,333	25,707	622	91,425	42,224	462
	16,001 - 20,000	0	0	0	42,330	7,855	186	36,042	14,629	406	78,372	22,485	287
	20,001 - 24,000	1	a/	d/	34,980	2,533	72	31,912	7,882	247	66,893	10,416	156
	24,001 - 28,000	0	0	0	3,870	38	10	26,952	2,933	109	30,822	2,971	96
	28,001 and over	0	0	0	0	0	0	5,478	137	25	5,478	137	25
	Total	118,299	\$5,299	\$45	268,297	\$79,656	\$297	247,771	\$113,965	\$460	634,367	\$198,920	\$314

\* Includes Married filing Separate status.

a/ Amount is less than \$500.

d/ Tax Law prohibits the disclosure of individual taxpayer information.

# Bronx County

Filing Status	Earned Income	Number of Qualifying Children									Total		
		None			One			More than One			#	Credit (000's)	Avg. Credit
		#	Credit (000's)	Avg. Credit	#	Credit (000's)	Avg. Credit	#	Credit (000's)	Avg. Credit			
<b>Single</b>													
\$	0 - \$ 4,000	5,563	\$205	\$37	368	\$58	\$158	173	\$30	\$172	6,104	\$293	\$48
	4,001 - 8,000	7,780	431	55	687	275	400	201	94	468	8,668	800	92
	8,001 - 12,000	343	3	9	446	186	418	228	163	714	1,017	352	347
	12,001 - 16,000	0	0	0	296	103	348	91	56	616	387	159	411
	16,001 - 20,000	0	0	0	172	37	216	80	36	451	252	73	291
	20,001 - 24,000	0	0	0	117	12	101	61	18	293	178	30	167
	24,001 - 28,000	0	0	0	34	1	17	33	5	154	67	6	85
	28,001 and over	0	0	0	0	0	0	14	1	37	14	1	37
	Total	13,686	\$639	\$47	2,120	\$672	\$317	881	\$402	\$457	16,687	\$1,713	\$103
<b>Married Filing Joint</b>													
\$	0 - \$ 4,000	296	\$10	\$35	220	\$36	\$165	235	\$46	\$196	751	\$93	\$123
	4,001 - 8,000	665	35	53	925	382	413	695	348	500	2,285	765	335
	8,001 - 12,000	281	4	16	1,075	471	438	2,029	1,468	723	3,385	1,943	574
	12,001 - 16,000	0	0	0	1,132	398	352	1,676	1,074	641	2,808	1,473	525
	16,001 - 20,000	0	0	0	1,110	196	176	1,581	639	404	2,691	835	310
	20,001 - 24,000	0	0	0	826	56	68	1,459	347	238	2,285	403	176
	24,001 - 28,000	0	0	0	39	a/	9	1,309	134	103	1,348	135	100
	28,001 and over	0	0	0	0	0	0	236	6	24	236	6	24
	Total	1,242	\$50	\$40	5,327	\$1,540	\$289	9,220	\$4,062	\$441	15,789	\$5,652	\$358
<b>Head of Household*</b>													
\$	0 - \$ 4,000	525	\$18	\$35	4,635	\$762	\$164	3,345	\$642	\$192	8,505	\$1,422	\$167
	4,001 - 8,000	967	50	51	11,670	4,763	408	6,078	2,968	488	18,715	7,781	416
	8,001 - 12,000	626	9	14	10,510	4,648	442	10,659	7,733	725	21,795	12,389	568
	12,001 - 16,000	0	0	0	8,930	2,899	325	6,577	4,040	614	15,507	6,939	447
	16,001 - 20,000	0	0	0	7,703	1,451	188	5,764	2,336	405	13,467	3,788	281
	20,001 - 24,000	0	0	0	6,491	473	73	5,353	1,356	253	11,844	1,829	154
	24,001 - 28,000	0	0	0	835	8	9	4,768	540	113	5,603	548	98
	28,001 and over	0	0	0	0	0	0	1,024	27	26	1,024	27	26
	Total	2,118	\$77	\$36	50,774	\$15,004	\$296	43,568	\$19,641	\$451	96,460	\$34,722	\$360
<b>All</b>													
\$	0 - \$ 4,000	6,384	\$234	\$37	5,223	\$856	\$164	3,753	\$717	\$191	15,360	\$1,807	\$118
	4,001 - 8,000	9,412	516	55	13,282	5,420	408	6,974	3,410	489	29,668	9,346	315
	8,001 - 12,000	1,250	16	13	12,031	5,305	441	12,916	9,363	725	26,197	14,684	561
	12,001 - 16,000	0	0	0	10,358	3,401	328	8,344	5,170	620	18,702	8,571	458
	16,001 - 20,000	0	0	0	8,985	1,684	187	7,425	3,011	406	16,410	4,695	286
	20,001 - 24,000	0	0	0	7,434	541	73	6,873	1,721	250	14,307	2,262	158
	24,001 - 28,000	0	0	0	908	9	10	6,110	679	111	7,018	688	98
	28,001 and over	0	0	0	0	0	0	1,274	33	26	1,274	33	26
	Total	17,046	\$766	\$45	58,221	\$17,216	\$296	53,669	\$24,105	\$449	128,936	\$42,087	\$326

\* Includes Married filing Separate status.  
a/ Amount is less than \$500.

# Kings County

Filing Status	Earned Income	Number of Qualifying Children									Total		
		None			One			More than One			#	Credit (000's)	Avg. Credit
		#	Credit (000's)	Avg. Credit	#	Credit (000's)	Avg. Credit	#	Credit (000's)	Avg. Credit			
<b>Single</b>													
\$	0 - \$ 4,000	11,712	\$425	\$36	366	\$57	\$156	123	\$21	\$169	12,201	\$503	\$41
	4,001 - 8,000	16,849	919	55	610	238	390	186	85	459	17,645	1,242	70
	8,001 - 12,000	788	8	10	446	186	418	219	155	708	1,453	349	240
	12,001 - 16,000	0	0	0	316	110	347	124	78	631	440	188	427
	16,001 - 20,000	0	0	0	212	47	224	73	34	466	285	81	286
	20,001 - 24,000	0	0	0	147	14	99	55	17	311	202	32	156
	24,001 - 28,000	0	0	0	54	1	22	29	4	134	83	5	61
	28,001 and over	0	0	0	0	0	0	12	1	51	12	1	51
	Total	29,349	\$1,352	\$46	2,151	\$654	\$304	821	\$395	\$481	32,321	\$2,401	\$74
<b>Married Filing Joint</b>													
\$	0 - \$ 4,000	1,214	\$45	\$37	743	\$124	\$167	721	\$140	\$195	2,678	\$309	\$116
	4,001 - 8,000	2,397	121	51	3,746	1,561	417	3,823	2,010	526	9,966	3,692	370
	8,001 - 12,000	906	14	15	3,975	1,751	440	10,562	7,633	723	15,443	9,397	609
	12,001 - 16,000	0	0	0	3,538	1,238	350	5,906	3,760	637	9,444	4,998	529
	16,001 - 20,000	0	0	0	3,091	536	173	4,594	1,875	408	7,685	2,411	314
	20,001 - 24,000	0	0	0	2,133	141	66	3,684	872	237	5,817	1,013	174
	24,001 - 28,000	0	0	0	93	1	13	2,930	293	100	3,023	294	97
	28,001 and over	0	0	0	0	0	0	491	12	24	491	12	24
	Total	4,517	\$180	\$40	17,319	\$5,353	\$309	32,711	\$16,594	\$507	54,547	\$22,126	\$406
<b>Head of Household*</b>													
\$	0 - \$ 4,000	725	\$26	\$36	6,438	\$1,053	\$164	4,098	\$779	\$190	11,261	\$1,858	\$165
	4,001 - 8,000	1,400	70	50	15,588	6,309	405	7,331	3,587	489	24,319	9,967	410
	8,001 - 12,000	851	12	14	14,654	6,464	441	12,169	8,786	722	27,674	15,263	552
	12,001 - 16,000	0	0	0	12,959	4,191	323	8,362	5,104	610	21,321	9,295	436
	16,001 - 20,000	0	0	0	11,184	2,095	187	7,603	3,073	404	18,787	5,168	275
	20,001 - 24,000	1	a/	d/	10,028	735	73	7,250	1,824	252	17,279	2,560	148
	24,001 - 28,000	0	0	0	1,261	12	9	6,334	715	113	7,595	726	96
	28,001 and over	0	0	0	0	0	0	1,270	33	26	1,270	33	26
	Total	2,977	\$108	\$36	72,112	\$20,861	\$289	54,417	\$23,901	\$439	129,506	\$44,869	\$346
<b>All</b>													
\$	0 - \$ 4,000	13,651	\$496	\$36	7,547	\$1,235	\$164	4,942	\$940	\$190	26,140	\$2,671	\$102
	4,001 - 8,000	20,646	1,110	54	19,944	8,108	407	11,340	5,683	501	51,930	14,901	287
	8,001 - 12,000	2,545	33	13	19,075	8,401	440	22,950	16,574	722	44,570	25,009	561
	12,001 - 16,000	0	0	0	16,813	5,540	329	14,392	8,942	621	31,205	14,481	464
	16,001 - 20,000	0	0	0	14,487	2,679	185	12,270	4,982	406	26,757	7,661	286
	20,001 - 24,000	1	a/	d/	12,308	891	72	10,989	2,713	247	23,298	3,604	155
	24,001 - 28,000	0	0	0	1,408	14	10	9,293	1,011	109	10,701	1,025	96
	28,001 and over	0	0	0	0	0	0	1,773	45	25	1,773	45	25
	Total	36,843	\$1,640	\$45	91,582	\$26,868	\$293	87,949	\$40,890	\$465	216,374	\$69,397	\$321

\* Includes Married filing Separate status.

a/ Amount is less than \$500.

d/ Tax Law prohibits the disclosure of individual taxpayer information.



# New York County

Filing Status	Earned Income	Number of Qualifying Children									Total		
		None			One			More than One			#	Credit (000's)	Avg. Credit
		#	Credit (000's)	Avg. Credit	#	Credit (000's)	Avg. Credit	#	Credit (000's)	Avg. Credit			
<b>Single</b>													
\$	0 - \$ 4,000	9,331	\$335	\$36	298	\$49	\$163	121	\$19	\$161	9,750	\$403	\$41
	4,001 - 8,000	13,004	702	54	641	256	399	131	61	468	13,776	1,019	74
	8,001 - 12,000	806	9	12	397	165	415	231	165	712	1,434	339	236
	12,001 - 16,000	0	0	0	234	82	348	83	51	618	317	133	419
	16,001 - 20,000	0	0	0	159	36	227	40	18	461	199	55	274
	20,001 - 24,000	0	0	0	113	12	104	33	10	303	146	22	149
	24,001 - 28,000	0	0	0	25	1	23	29	4	144	54	5	88
	28,001 and over	0	0	0	0	0	0	7	a/	63	7	a/	63
	Total	23,141	\$1,046	\$45	1,867	\$599	\$321	675	\$330	\$489	25,683	\$1,976	\$77
<b>Married Filing Joint</b>													
\$	0 - \$ 4,000	581	\$22	\$38	242	\$40	\$167	192	\$38	\$197	1,015	\$100	\$99
	4,001 - 8,000	1,273	65	51	1,325	555	419	856	445	520	3,454	1,065	308
	8,001 - 12,000	538	8	14	1,625	719	442	3,229	2,340	725	5,392	3,066	569
	12,001 - 16,000	0	0	0	1,544	541	350	2,213	1,409	636	3,757	1,950	519
	16,001 - 20,000	0	0	0	1,231	213	173	1,611	652	405	2,842	865	304
	20,001 - 24,000	0	0	0	809	54	67	1,248	298	239	2,057	353	171
	24,001 - 28,000	0	0	0	46	a/	11	952	94	99	998	94	95
	28,001 and over	0	0	0	0	0	0	219	5	23	219	5	23
	Total	2,392	\$94	\$39	6,822	\$2,123	\$311	10,520	\$5,281	\$502	19,734	\$7,498	\$380
<b>Head of Household*</b>													
\$	0 - \$ 4,000	410	\$15	\$36	3,146	\$534	\$170	1,965	\$381	\$194	5,521	\$930	\$168
	4,001 - 8,000	743	36	49	9,372	3,844	410	3,935	1,942	493	14,050	5,822	414
	8,001 - 12,000	455	7	15	7,947	3,504	441	7,215	5,225	724	15,617	8,736	559
	12,001 - 16,000	0	0	0	6,618	2,142	324	4,311	2,640	612	10,929	4,782	438
	16,001 - 20,000	0	0	0	5,246	990	189	3,632	1,470	405	8,878	2,460	277
	20,001 - 24,000	0	0	0	4,280	315	74	3,200	813	254	7,480	1,128	151
	24,001 - 28,000	0	0	0	481	4	9	2,632	302	115	3,113	306	98
	28,001 and over	0	0	0	0	0	0	613	16	26	613	16	26
	Total	1,608	\$58	\$36	37,090	\$11,334	\$306	27,503	\$12,789	\$465	66,201	\$24,181	\$365
<b>All</b>													
\$	0 - \$ 4,000	10,322	\$372	\$36	3,686	\$623	\$169	2,278	\$439	\$193	16,286	\$1,433	\$88
	4,001 - 8,000	15,020	803	53	11,338	4,655	411	4,922	2,448	497	31,280	7,906	253
	8,001 - 12,000	1,799	24	13	9,969	4,388	440	10,675	7,729	724	22,443	12,141	541
	12,001 - 16,000	0	0	0	8,396	2,765	329	6,607	4,100	621	15,003	6,865	458
	16,001 - 20,000	0	0	0	6,636	1,239	187	5,283	2,141	405	11,919	3,380	284
	20,001 - 24,000	0	0	0	5,202	381	73	4,481	1,121	250	9,683	1,502	155
	24,001 - 28,000	0	0	0	552	5	10	3,613	400	111	4,165	406	97
	28,001 and over	0	0	0	0	0	0	839	21	25	839	21	25
	Total	27,141	\$1,199	\$44	45,779	\$14,056	\$307	38,698	\$18,400	\$475	111,618	\$33,655	\$302

\* Includes Married filing Separate status.  
a/ Amount is less than \$500.

# Queens County

Filing Status	Earned Income	Number of Qualifying Children									Total		
		None			One			More than One			#	Credit (000's)	Avg. Credit
		#	Credit (000's)	Avg. Credit	#	Credit (000's)	Avg. Credit	#	Credit (000's)	Avg. Credit			
<b>Single</b>													
\$	0 - \$ 4,000	10,698	\$402	\$38	197	\$32	\$165	64	\$11	\$171	10,959	\$445	\$41
	4,001 - 8,000	16,223	893	55	413	166	402	83	39	467	16,719	1,098	66
	8,001 - 12,000	740	8	11	303	125	413	110	78	705	1,153	211	183
	12,001 - 16,000	0	0	0	226	78	344	64	40	623	290	118	406
	16,001 - 20,000	0	0	0	127	28	223	52	24	463	179	52	293
	20,001 - 24,000	0	0	0	78	8	96	37	11	290	115	18	159
	24,001 - 28,000	0	0	0	36	1	20	25	4	142	61	4	70
	28,001 and over	0	0	0	0	0	0	8	a/	39	8	a/	39
	Total	27,661	\$1,303	\$47	1,380	\$438	\$317	443	\$206	\$465	29,484	\$1,947	\$66
<b>Married Filing Joint</b>													
\$	0 - \$ 4,000	1,201	\$46	\$38	464	\$79	\$171	453	\$90	\$198	2,118	\$215	\$101
	4,001 - 8,000	2,494	130	52	3,054	1,287	421	1,691	857	507	7,239	2,273	314
	8,001 - 12,000	989	15	15	3,749	1,650	440	6,928	5,029	726	11,666	6,693	574
	12,001 - 16,000	0	0	0	4,033	1,422	353	5,700	3,637	638	9,733	5,059	520
	16,001 - 20,000	0	0	0	3,562	628	176	5,413	2,209	408	8,975	2,837	316
	20,001 - 24,000	0	0	0	2,569	169	66	4,354	1,033	237	6,923	1,202	174
	24,001 - 28,000	0	0	0	108	1	12	3,250	327	101	3,358	329	98
	28,001 and over	0	0	0	0	0	0	599	13	22	599	13	22
	Total	4,684	\$191	\$41	17,539	\$5,236	\$299	28,388	\$13,195	\$465	50,611	\$18,621	\$368
<b>Head of Household*</b>													
\$	0 - \$ 4,000	484	\$18	\$36	3,148	\$531	\$169	1,698	\$326	\$192	5,330	\$875	\$164
	4,001 - 8,000	1,018	51	50	10,645	4,372	411	3,969	1,967	496	15,632	6,390	409
	8,001 - 12,000	567	8	15	10,095	4,452	441	7,766	5,609	722	18,428	10,069	546
	12,001 - 16,000	0	0	0	9,223	2,975	323	5,151	3,167	615	14,374	6,142	427
	16,001 - 20,000	0	0	0	7,543	1,419	188	4,552	1,839	404	12,095	3,258	269
	20,001 - 24,000	0	0	0	6,472	477	74	4,205	1,051	250	10,677	1,528	143
	24,001 - 28,000	0	0	0	744	7	9	3,751	417	111	4,495	423	94
	28,001 and over	0	0	0	0	0	0	793	20	25	793	20	25
	Total	2,069	\$77	\$37	47,870	\$14,233	\$297	31,885	\$14,395	\$451	81,824	\$28,705	\$351
<b>All</b>													
\$	0 - \$ 4,000	12,383	\$466	\$38	3,809	\$643	\$169	2,215	\$427	\$193	18,407	\$1,535	\$83
	4,001 - 8,000	19,735	1,074	54	14,112	5,825	413	5,743	2,863	498	39,590	9,761	247
	8,001 - 12,000	2,296	31	14	14,147	6,227	440	14,804	10,715	724	31,247	16,972	543
	12,001 - 16,000	0	0	0	13,482	4,475	332	10,915	6,844	627	24,397	11,319	464
	16,001 - 20,000	0	0	0	11,232	2,075	185	10,017	4,072	407	21,249	6,147	289
	20,001 - 24,000	0	0	0	9,119	653	72	8,596	2,095	244	17,715	2,748	155
	24,001 - 28,000	0	0	0	888	9	10	7,026	748	106	7,914	756	96
	28,001 and over	0	0	0	0	0	0	1,400	33	24	1,400	33	24
	Total	34,414	\$1,570	\$46	66,789	\$19,907	\$298	60,716	\$27,796	\$458	161,919	\$49,273	\$304

\* Includes Married filing Separate status.  
a/ Amount is less than \$500.

# Richmond County

Filing Status	Earned Income	Number of Qualifying Children									Total		
		None			One			More than One			#	Credit (000's)	Avg. Credit
		#	Credit (000's)	Avg. Credit	#	Credit (000's)	Avg. Credit	#	Credit (000's)	Avg. Credit			
<b>Single</b>													
	\$ 0 - \$ 4,000	979	\$35	\$35	44	\$6	\$139	17	\$3	\$187	1,040	\$44	\$42
	4,001 - 8,000	1,360	74	54	58	23	396	18	9	516	1,436	106	74
	8,001 - 12,000	81	1	11	41	17	414	30	21	701	152	39	256
	12,001 - 16,000	0	0	0	27	9	342	10	6	629	37	16	420
	16,001 - 20,000	0	0	0	30	7	230	6	3	464	36	10	269
	20,001 - 24,000	0	0	0	17	2	106	7	2	299	24	4	162
	24,001 - 28,000	0	0	0	9	a/	18	5	1	150	14	1	65
	28,001 and over	0	0	0	0	0	0	2	a/	39	2	a/	39
	Total	2,420	\$109	\$45	226	\$64	\$284	95	\$46	\$479	2,741	\$219	\$80
<b>Married Filing Joint</b>													
	\$ 0 - \$ 4,000	81	\$3	\$31	88	\$13	\$146	83	\$16	\$194	252	\$31	\$125
	4,001 - 8,000	134	6	48	203	81	400	246	119	485	583	207	355
	8,001 - 12,000	54	1	14	296	123	417	499	348	698	849	473	557
	12,001 - 16,000	0	0	0	280	94	337	431	263	610	711	357	502
	16,001 - 20,000	0	0	0	281	47	169	510	207	406	791	254	322
	20,001 - 24,000	0	0	0	226	15	68	459	104	227	685	120	175
	24,001 - 28,000	0	0	0	19	a/	19	405	39	96	424	39	92
	28,001 and over	0	0	0	0	0	0	68	2	23	68	2	23
	Total	269	\$10	\$36	1,393	\$375	\$269	2,701	\$1,098	\$407	4,363	\$1,483	\$340
<b>Head of Household*</b>													
	\$ 0 - \$ 4,000	48	\$2	\$34	466	\$72	\$155	391	\$68	\$175	905	\$142	\$157
	4,001 - 8,000	80	4	49	848	338	399	524	253	483	1,452	596	410
	8,001 - 12,000	38	1	14	818	352	430	734	530	722	1,590	882	555
	12,001 - 16,000	0	0	0	736	233	316	634	382	603	1,370	615	449
	16,001 - 20,000	0	0	0	679	124	182	531	214	402	1,210	337	279
	20,001 - 24,000	0	0	0	674	50	74	507	126	248	1,181	175	149
	24,001 - 28,000	0	0	0	86	1	9	500	55	109	586	55	94
	28,001 and over	0	0	0	0	0	0	122	3	26	122	3	26
	Total	166	\$6	\$36	4,307	\$1,170	\$272	3,943	\$1,631	\$414	8,416	\$2,806	\$333
<b>All</b>													
	\$ 0 - \$ 4,000	1,108	\$39	\$35	598	\$91	\$153	491	\$88	\$178	2,197	\$218	\$99
	4,001 - 8,000	1,574	84	53	1,109	443	399	788	382	485	3,471	909	262
	8,001 - 12,000	173	2	13	1,155	492	426	1,263	900	712	2,591	1,394	538
	12,001 - 16,000	0	0	0	1,043	336	322	1,075	651	606	2,118	988	466
	16,001 - 20,000	0	0	0	990	178	180	1,047	423	404	2,037	601	295
	20,001 - 24,000	0	0	0	917	67	73	973	232	239	1,890	299	158
	24,001 - 28,000	0	0	0	114	1	12	910	94	103	1,024	95	93
	28,001 and over	0	0	0	0	0	0	192	5	25	192	5	25
	Total	2,855	\$125	\$44	5,926	\$1,609	\$271	6,739	\$2,774	\$412	15,520	\$4,508	\$290

\* Includes Married filing Separate status.  
a/ Amount is less than \$500.

# New York State Full-Year Resident

Filing Status	Earned Income	Number of Qualifying Children									Total		
		None			One			More than One			#	Credit (000's)	Avg. Credit
		#	Credit (000's)	Avg. Credit	#	Credit (000's)	Avg. Credit	#	Credit (000's)	Avg. Credit			
<b>Single</b>													
\$	0 - \$ 4,000	69,080	\$2,462	\$36	4,820	\$774	\$161	3,539	\$642	\$181	77,439	\$3,877	\$50
	4,001 - 8,000	97,786	5,303	54	6,786	2,644	390	3,423	1,599	467	107,995	9,546	88
	8,001 - 12,000	5,433	58	11	4,347	1,818	418	2,434	1,715	705	12,214	3,591	294
	12,001 - 16,000	0	0	0	2,801	972	347	1,207	756	626	4,008	1,728	431
	16,001 - 20,000	0	0	0	1,809	401	222	690	316	459	2,499	718	287
	20,001 - 24,000	0	0	0	1,186	120	101	458	138	300	1,644	258	157
	24,001 - 28,000	0	0	0	347	7	19	256	37	146	603	44	73
	28,001 and over	0	0	0	0	0	0	90	4	41	90	4	41
	Total	172,299	\$7,823	\$45	22,096	\$6,736	\$305	12,097	\$5,208	\$430	206,492	\$19,767	\$96
<b>Married Filing Joint</b>													
\$	0 - \$ 4,000	6,291	\$213	\$34	3,907	\$610	\$156	4,874	\$911	\$187	15,072	\$1,733	\$115
	4,001 - 8,000	10,758	545	51	13,774	5,632	409	13,690	6,875	502	38,222	13,052	341
	8,001 - 12,000	4,271	64	15	16,695	7,238	434	35,747	25,576	715	56,713	32,879	580
	12,001 - 16,000	0	0	0	17,446	6,030	346	28,828	18,022	625	46,274	24,052	520
	16,001 - 20,000	0	0	0	16,802	2,890	172	28,372	11,369	401	45,174	14,260	316
	20,001 - 24,000	0	0	0	13,578	890	66	26,564	6,168	232	40,142	7,058	176
	24,001 - 28,000	0	0	0	657	8	12	23,803	2,339	98	24,460	2,347	96
	28,001 and over	1	a/	d/	0	0	0	4,741	106	22	4,742	106	22
	Total	21,321	\$822	\$39	82,859	\$23,299	\$281	166,619	\$71,367	\$428	270,799	\$95,488	\$353
<b>Head of Household*</b>													
\$	0 - \$ 4,000	3,393	\$118	\$35	30,058	\$4,932	\$164	21,773	\$4,120	\$189	55,224	\$9,169	\$166
	4,001 - 8,000	5,989	301	50	71,992	29,155	405	38,862	19,034	490	116,843	48,490	415
	8,001 - 12,000	3,573	52	15	71,690	31,598	441	62,042	44,819	722	137,305	76,469	557
	12,001 - 16,000	0	0	0	66,640	21,533	323	46,909	28,691	612	113,549	50,224	442
	16,001 - 20,000	0	0	0	57,604	10,840	188	40,906	16,598	406	98,510	27,438	279
	20,001 - 24,000	1	a/	d/	47,851	3,553	74	35,656	9,015	253	83,508	12,568	150
	24,001 - 28,000	0	0	0	5,601	52	9	29,132	3,279	113	34,733	3,332	96
	28,001 and over	0	0	0	0	0	0	6,102	154	25	6,102	154	25
	Total	12,956	\$472	\$36	351,436	\$101,662	\$289	281,382	\$125,711	\$447	645,774	\$227,844	\$353
<b>All</b>													
\$	0 - \$ 4,000	78,764	\$2,792	\$35	38,785	\$6,315	\$163	30,186	\$5,672	\$188	147,735	\$14,780	\$100
	4,001 - 8,000	114,533	6,149	54	92,552	37,431	404	55,975	27,509	491	263,060	71,089	270
	8,001 - 12,000	13,277	175	13	92,732	40,654	438	100,223	72,110	719	206,232	112,940	548
	12,001 - 16,000	0	0	0	86,887	28,535	328	76,944	47,469	617	163,831	76,004	464
	16,001 - 20,000	0	0	0	76,215	14,132	185	69,968	28,284	404	146,183	42,415	290
	20,001 - 24,000	1	a/	d/	62,615	4,563	73	62,678	15,321	244	125,294	19,883	159
	24,001 - 28,000	0	0	0	6,605	67	10	53,191	5,656	106	59,796	5,723	96
	28,001 and over	1	a/	d/	0	0	0	10,933	264	24	10,934	264	24
	Total	206,576	\$9,117	\$44	456,391	\$131,697	\$289	460,098	\$202,285	\$440	1,123,065	\$343,099	\$306

\* Includes Married filing Separate status.

a/ Amount is less than \$500.

d/ Tax Law prohibits the disclosure of individual taxpayer information.

# Nonresidents, Part-Year Move-outs & Unclassified

Earned Income	Number of Qualifying Children									Total		
	None			One			More than One			#	Credit (000's)	Avg. Credit
	#	Credit (000's)	Avg. Credit	#	Credit (000's)	Avg. Credit	#	Credit (000's)	Avg. Credit			
<b>Full Year Nonresident (All)</b>												
\$ 0 - \$ 4,000	142	\$5	\$36	43	\$6	\$139	38	\$6	\$168	223	\$17	\$78
4,001 - 8,000	180	9	51	138	49	352	96	41	428	414	99	239
8,001 - 12,000	25	a/	14	209	53	256	166	86	519	400	140	350
12,001 - 16,000	0	0	0	642	60	94	300	57	192	942	118	125
16,001 - 20,000	0	0	0	1,001	94	94	756	79	105	1,757	173	98
20,001 - 24,000	0	0	0	1,033	56	54	1,136	150	132	2,169	206	95
24,001 - 28,000	0	0	0	110	1	6	1,212	88	73	1,322	89	67
28,001 and over	0	0	0	0	0	0	234	4	18	234	4	18
Total	347	\$15	\$42	3,176	\$318	\$100	3,938	\$512	\$130	7,461	\$845	\$113
<b>Part-Year Resident, Moved Out (All)</b>												
\$ 0 - \$ 4,000	53	\$1	\$26	27	\$3	\$96	17	\$2	\$139	97	\$6	\$65
4,001 - 8,000	124	4	33	76	19	245	41	13	322	241	36	149
8,001 - 12,000	27	a/	11	98	26	267	73	32	437	198	58	295
12,001 - 16,000	0	0	0	98	19	193	79	32	405	177	51	288
16,001 - 20,000	0	0	0	90	10	112	76	18	235	166	28	169
20,001 - 24,000	0	0	0	69	3	41	90	15	170	159	18	114
24,001 - 28,000	0	0	0	3	a/	15	61	4	70	64	4	68
28,001 and over	0	0	0	0	0	0	9	a/	13	9	a/	13
Total	204	\$6	\$28	461	\$79	\$172	446	\$117	\$262	1,111	\$202	\$182
<b>Unclassified (All)</b>												
\$ 0 - \$ 4,000	67	\$2	\$36	23	\$4	\$153	27	\$4	\$151	117	\$10	\$86
4,001 - 8,000	73	4	55	71	29	408	41	21	519	185	54	293
8,001 - 12,000	12	a/	11	69	29	420	62	43	688	143	72	502
12,001 - 16,000	0	0	0	63	20	313	58	35	607	121	55	454
16,001 - 20,000	0	0	0	63	11	178	51	19	374	114	30	266
20,001 - 24,000	0	0	0	33	2	69	40	9	235	73	12	160
24,001 - 28,000	0	0	0	6	a/	13	40	4	97	46	4	86
28,001 and over	0	0	0	0	0	0	6	a/	39	6	a/	39
Total	152	\$7	\$43	328	\$95	\$289	325	\$136	\$418	805	\$237	\$295

a/ Amount is less than \$500.

# Grand Total for All Claims

Filing Status	Earned Income	Number of Qualifying Children									Total		
		None			One			More than One			#	Credit (000's)	Avg. Credit
		#	Credit (000's)	Avg. Credit	#	Credit (000's)	Avg. Credit	#	Credit (000's)	Avg. Credit			
<b>Single</b>													
	\$ 0 - \$ 4,000	69,667	\$2,479	\$36	4,869	\$780	\$160	3,574	\$646	\$181	78,110	\$3,905	\$50
	4,001 - 8,000	99,021	5,346	54	6,893	2,672	388	3,471	1,611	464	109,385	9,629	88
	8,001 - 12,000	5,588	60	11	4,445	1,837	413	2,493	1,737	697	12,526	3,633	290
	12,001 - 16,000	0	0	0	2,884	986	342	1,235	765	619	4,119	1,751	425
	16,001 - 20,000	0	0	0	1,863	409	219	708	321	453	2,571	729	284
	20,001 - 24,000	0	0	0	1,223	123	100	471	141	298	1,694	263	155
	24,001 - 28,000	0	0	0	363	7	19	267	38	144	630	45	72
	28,001 and over	0	0	0	0	0	0	94	4	40	94	4	40
	Total	174,276	\$7,885	\$45	22,540	\$6,812	\$302	12,313	\$5,262	\$427	209,129	\$19,959	\$95
<b>Married Filing Joint</b>													
	\$ 0 - \$ 4,000	6,329	\$214	\$34	3,949	\$615	\$156	4,936	\$921	\$187	15,214	\$1,750	\$115
	4,001 - 8,000	10,853	548	51	13,907	5,671	408	13,881	6,940	500	38,641	13,159	341
	8,001 - 12,000	4,307	65	15	16,901	7,295	432	36,067	25,721	713	57,275	33,081	578
	12,001 - 16,000	0	0	0	17,745	6,083	343	29,268	18,170	621	47,013	24,253	516
	16,001 - 20,000	0	0	0	17,415	2,936	169	29,126	11,485	394	46,541	14,421	310
	20,001 - 24,000	0	0	0	14,209	917	65	27,710	6,303	227	41,919	7,220	172
	24,001 - 28,000	0	0	0	681	8	12	24,954	2,411	97	25,635	2,419	94
	28,001 and over	1	a/	d/	0	0	0	4,943	109	22	4,944	109	22
	Total	21,490	\$827	\$38	84,807	\$23,526	\$277	170,885	\$72,059	\$422	277,182	\$96,412	\$348
<b>Head of Household*</b>													
	\$ 0 - \$ 4,000	3,408	\$118	\$35	30,262	\$4,955	\$164	21,905	\$4,138	\$189	55,575	\$9,211	\$166
	4,001 - 8,000	6,042	303	50	72,654	29,329	404	39,280	19,171	488	117,976	48,803	414
	8,001 - 12,000	3,604	53	15	72,591	31,834	439	62,681	45,106	720	138,876	76,993	554
	12,001 - 16,000	0	0	0	67,903	21,719	320	47,574	28,904	608	115,477	50,623	438
	16,001 - 20,000	0	0	0	58,832	10,979	187	41,661	16,738	402	100,493	27,717	276
	20,001 - 24,000	1	a/	d/	48,851	3,606	74	36,328	9,129	251	85,180	12,735	150
	24,001 - 28,000	0	0	0	5,719	53	9	29,767	3,330	112	35,486	3,383	95
	28,001 and over	0	0	0	0	0	0	6,239	157	25	6,239	157	25
	Total	13,055	\$474	\$36	356,812	\$102,475	\$287	285,435	\$126,673	\$444	655,302	\$229,622	\$350
<b>All</b>													
	\$ 0 - \$ 4,000	79,404	\$2,811	\$35	39,080	\$6,350	\$162	30,415	\$5,705	\$188	148,899	\$14,866	\$100
	4,001 - 8,000	115,916	6,198	53	93,454	37,672	403	56,632	27,721	489	266,002	71,591	269
	8,001 - 12,000	13,499	177	13	93,937	40,966	436	101,241	72,563	717	208,677	113,707	545
	12,001 - 16,000	0	0	0	88,532	28,787	325	78,077	47,839	613	166,609	76,626	460
	16,001 - 20,000	0	0	0	78,110	14,323	183	71,495	28,543	399	149,605	42,867	287
	20,001 - 24,000	1	a/	d/	64,283	4,646	72	64,509	15,573	241	128,793	20,219	157
	24,001 - 28,000	0	0	0	6,763	68	10	54,988	5,780	105	61,751	5,848	95
	28,001 and over	1	a/	d/	0	0	0	11,276	270	24	11,277	270	24
	Total	208,821	\$9,186	\$44	464,159	\$132,813	\$286	468,633	\$203,994	\$435	1,141,613	\$345,993	\$303

\* Includes Married filing Separate status.

a/ Amount is less than \$500.

d/ Tax Law prohibits the disclosure of individual taxpayer information.

---

# Appendix A: Legislative Mandate for the Earned Income Tax Credit Study, Chapter 170, Laws of 1994

---

“The commissioner shall prepare a preliminary written report after July thirty-first and a final written report after December thirty-first of each calendar year, which shall contain statistical information regarding the credits granted on or before such dates under this subsection during such calendar year. Copies of these reports shall be submitted by such commissioner to the governor, the temporary president of the senate, the speaker of the assembly, the chairman of the senate finance committee and the chairman of the assembly ways and means committee within sixty days of July thirty-first with respect to the preliminary report, and within forty-five days of December thirty-first with respect to the final report. Such reports shall contain, but need not be limited to, the number of credits and the average amount of such credits allowed; and of those, the number of credits and the average amount of such credits allowed to taxpayers in each county; and of those, the number of credits and the average amount of such credits allowed to taxpayers whose earned income falls within ranges, determined by the commissioner, of not more than four thousand dollars; and of those, the number of credits and the average amount of such credits allowed to taxpayers who file under the different statuses set forth in subsections (a), (b) and (c) of section six hundred one; and of those, the number of credits and the average amount of such credits allowed to taxpayers whose number of qualifying children falls within the categories set forth in such section thirty-two of the internal revenue code.”





---

# Appendix B: Form IT-215

---



Three empty boxes for office use.

# Claim for Earned Income Credit



# IT-215



Print or type	Please enter your first name first. For a joint claim, use both name lines.		
	Your first name and middle initial	Your last name (for a joint claim, enter spouse's name on line below)	
	Spouse's first name and middle initial	Spouse's last name	
	Mailing address (number and street or rural route)	Apartment number	New York State county of residence
	City, village or post office	State	ZIP code

- Did you claim the federal earned income credit for 1998? If **No**, stop; you do not qualify for the NYS credit. ...  1 Yes  No
- Is your investment income (see instructions) greater than \$2,300? If **Yes**, stop; you do not qualify for the NYS credit. ...  2 Yes  No
- Have you already filed your 1998 New York State income tax return? If **No**, you must file this claim with a return. ...  3 Yes  No
- Did you claim qualifying children on your 1998 federal Schedule EIC? ...  4 Yes  No   
If **No**, continue with line 5. If **Yes**, fill in the following for the **same** children claimed on federal Schedule EIC.

First name and middle initial	Last name	Relationship	Number of months lived with you	Person with disability *	Social security number	Year of birth
				<input type="checkbox"/>		19
				<input type="checkbox"/>		19

\* Place an X in this box only if you checked Yes on your 1998 federal Schedule EIC, line 3b.

- Is the IRS figuring your federal earned income credit for you? If **Yes**, complete lines 6 through 10a (also lines 21, 23, and 24 if you are a part-year resident) and attach this form to your New York State income tax return. The Tax Department will compute your New York State earned income credit for you. If **No**, complete lines 6 through 17 (and lines 18 through 26 if you are a part-year resident) ...  5 Yes  No
- Wages, salaries, tips, etc. (from federal Form 1040EZ, line 1, Form 1040A, line 7, or Form 1040, line 7) See instructions ...  6 , .

### Before completing lines 7, 8, and 9, see instructions

- If you received a taxable scholarship or fellowship grant that wasn't reported on a W-2 form, enter that amount here (from your federal Earned Income Credit Worksheet, line 2) ...  7 , .
- Nontaxable earned income (from your federal Earned Income Credit Worksheet, line 4) ...  8 , .
- Business income or loss (from your federal Form 1040 Instructions, Earned Income Credit Worksheet, line 5) ...  9 , .
- Employer Identification Number (see instructions)  .
- Check applicable box . . . . . The amount on line 9 is a profit  or loss

10a Enter your modified federal adjusted gross income (see instructions) ...  10a , .

10b Amount of federal EIC claimed (from federal Form 1040EZ, line 8a, Form 1040A, line 37a, or Form 1040, line 59a. Federal alternative minimum tax filers - see instructions.) ...  10b , .

11 New York State EIC rate 20% (.20) ...  11 **20**

12 Tentative New York State earned income credit (multiply line 10b by line 11; see instructions) ...  12 , .

### If you are a Form IT-201 or Form IT-203 filer, complete Worksheet A on the back of this form before continuing.

13 Form IT-200 filers, copy the amount from Form IT-200, line 19. Form IT-201 and Form IT-203 filers, copy the amount from Worksheet A, line 5 on the back of this form. ...  13 , .

14 New York State household credit (from Form IT-200, line 20, Form IT-201, line 37 or Form IT-203, line 37) ...  14 , .

15 Enter the smaller of line 13 or line 14 ...  15 , .

16 Subtract line 15 from line 12. This is your allowable New York State earned income credit. See back for further instructions. ...  16 , .

- If your filing status is ③, **married filing separate return**, complete line 17.
- Part-year residents must also complete lines 18-26.
- All claimants must sign this form below.

17 If your New York State filing status is ③, *married filing separate return*, the credit on line 16 can be divided between spouses in any manner you wish. Enter on line 17 the amount of credit from line 16 you are claiming and enter your joint federal adjusted gross income below . . . . . **17**

--	--	--	--	--	--	--	--

 Dollars Cents  
 ● federal adjusted gross income (from federal Form 1040EZ, line 4, Form 1040A, line 18, or Form 1040, line 33) . . . . . **1**

--	--	--	--	--	--	--	--

 , 

--	--	--	--	--

 . 

--	--

## Computation of Part-Year Resident Earned Income Credit

Lines 18-26 apply only to part-year residents claiming the earned income credit.

18 Enter New York State earned income credit (from front page, line 16, or line 17 above) . . . . . **18**

--	--	--	--	--	--

19 Enter the amount from Form IT-203, line 40 . . . . . **19**

--	--	--	--	--	--

  
 If line 19 is equal to or more than line 18, **stop. You do not have excess EIC.**  
 If line 19 is less than line 18, **continue on line 20 below.**

20 Subtract line 19 from line 18. **This is your excess earned income credit** . . . . . **20**

--	--	--	--	--	--

21 Enter the amount from Form IT-203-ATT, line 34 (if Form IT-203-ATT is not required to be filed, enter "0" and continue on line 22 below) . . . . . **21**

--	--	--	--	--	--

  
 If Form IT-215, line 21 is equal to or more than Form IT-215, line 20, **stop. Do not continue with this worksheet.** Enter the line 20 amount on Form IT-203-ATT, line 35.  
 If line 21 is less than line 20, enter the line 20 amount on Form IT-203-ATT, line 35 and continue on line 22 below.

22 Subtract line 21 from line 20. **This is your remaining excess earned income credit** . . . . . **22**

--	--	--	--	--	--

23 Enter amount from *Part-Year Resident Income Allocation Worksheet*, Column B, line 18, from page 14 of your Form IT-203 instructions booklet . . . . . **23**

--	--	--	--	--	--

 , 

--	--

24 Enter amount from *Part-Year Resident Income Allocation Worksheet*, Column A, line 18, from page 14 of your Form IT-203 instructions booklet . . . . . **24**

--	--	--	--	--	--

 , 

--	--


25 Divide line 23 by line 24 (carry the result to four decimal places) This amount cannot exceed 100% (1.0000) . . . . . **25**

--	--	--	--	--	--

26 Multiply line 22 by line 25. Enter the result here and on Form IT-203-ATT, line 56. **This is the refundable portion of your part-year resident earned income credit** . . . . . **26**

--	--	--	--	--	--

### Worksheet A (For IT-201 and IT-203 Filers Only)



1 New York State tax (from Form IT-201, line 36, or Form IT-203, line 36) . . . . . **1**

--	--	--	--	--	--

2 Resident credit (from Form IT-201-ATT, line 37, or Form IT-203-ATT, line 40) . . . . . **2**

--	--	--	--	--	--

3 Accumulation distribution credit (from Form IT-201-ATT, line 38, or Form IT-203-ATT, line 41) . . . . . **3**

--	--	--	--	--	--

4 Add lines 2 and 3 . . . . . **4**

--	--	--	--	--	--

5 Subtract line 4 from line 1. (If line 4 is more than line 1, enter "0.") Enter here and on line 13 on the front of this form . . . . . **5**

--	--	--	--	--	--

<b>Paid Preparer's Use Only</b>	Preparer's signature	Date	Mark "X" if self-employed <input type="checkbox"/>	<b>Sign Here</b>	Your signature	
	Firm's name (or yours, if self-employed)	Preparer's social security number			Spouse's signature (if joint claim)	
	Address	Employer identification number			Date	Daytime phone number (optional) (     )